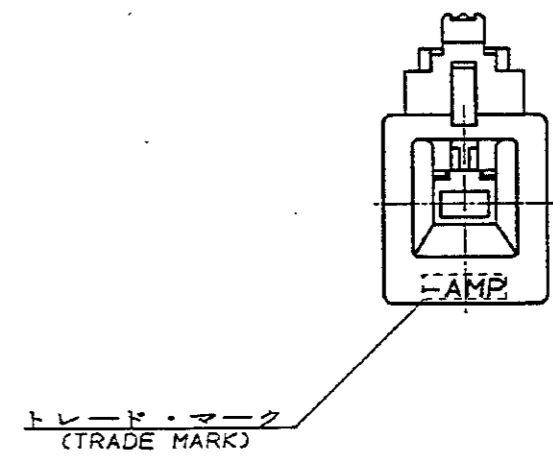
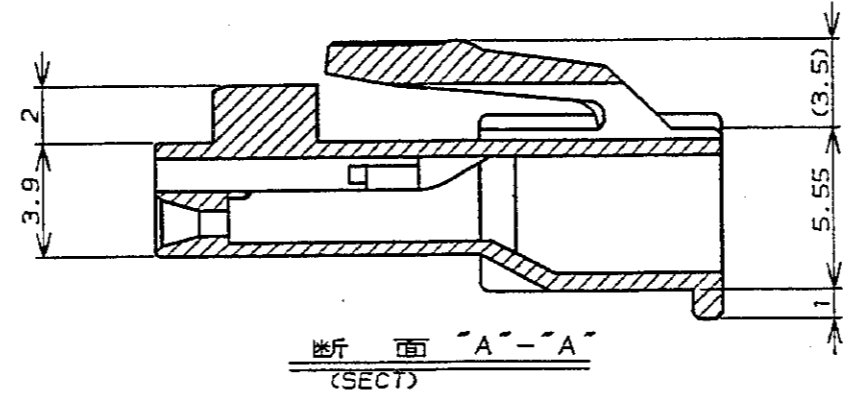
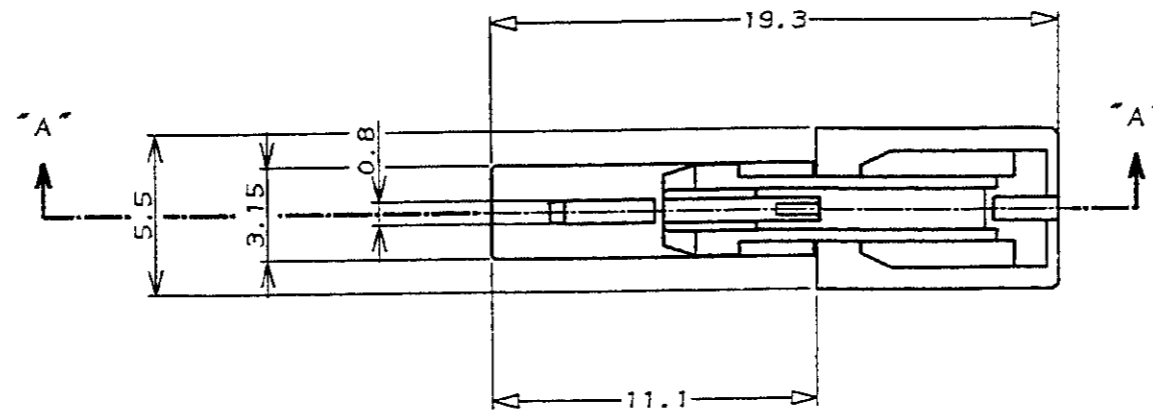
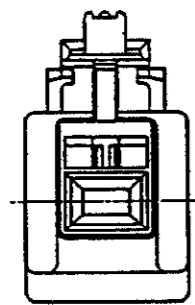


NUMBER C-176270



METRIC

PRINT DIST
単位、寸法 DIMENSIONS IN MM. DO NOT SCALE PRINT



- 注:
1. 適用製品規格: 108-5302
 2. 適用コンタクト型番
リセ・コンタクト: 175152-□(※20-※16AWG)
175151-□(※26-※22AWG)
 3. 嵌合相手側製品型番
キャップ・ハウジング: 176281-□
タブ・コンタクト: 175150-□(※20-※16AWG)
175149-□(※26-※22AWG)
 4. 取扱説明書: IS-503J

- NOTES:
1. PRODUCT SPEC.: 108-5302, 114-5142
 2. APPLICABLE CONTACT P/N
REC CONTACT: 175152-□(※20-※16AWG)
175151-□(※26-※22AWG)
 3. MATING CONN. P/N
CAP HSG: 176281-□
TAB CONTACT: 175150-□(※20-※16AWG)
175149-□(※26-※22AWG)
 4. INSTRUCTION SHEET: IS-503J

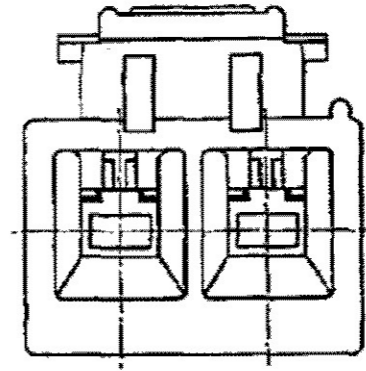
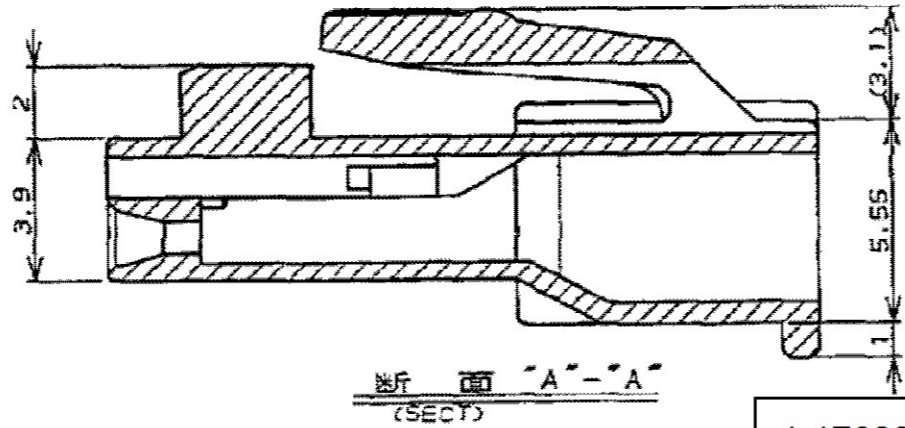
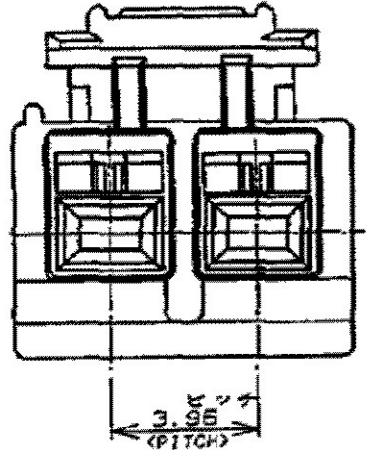
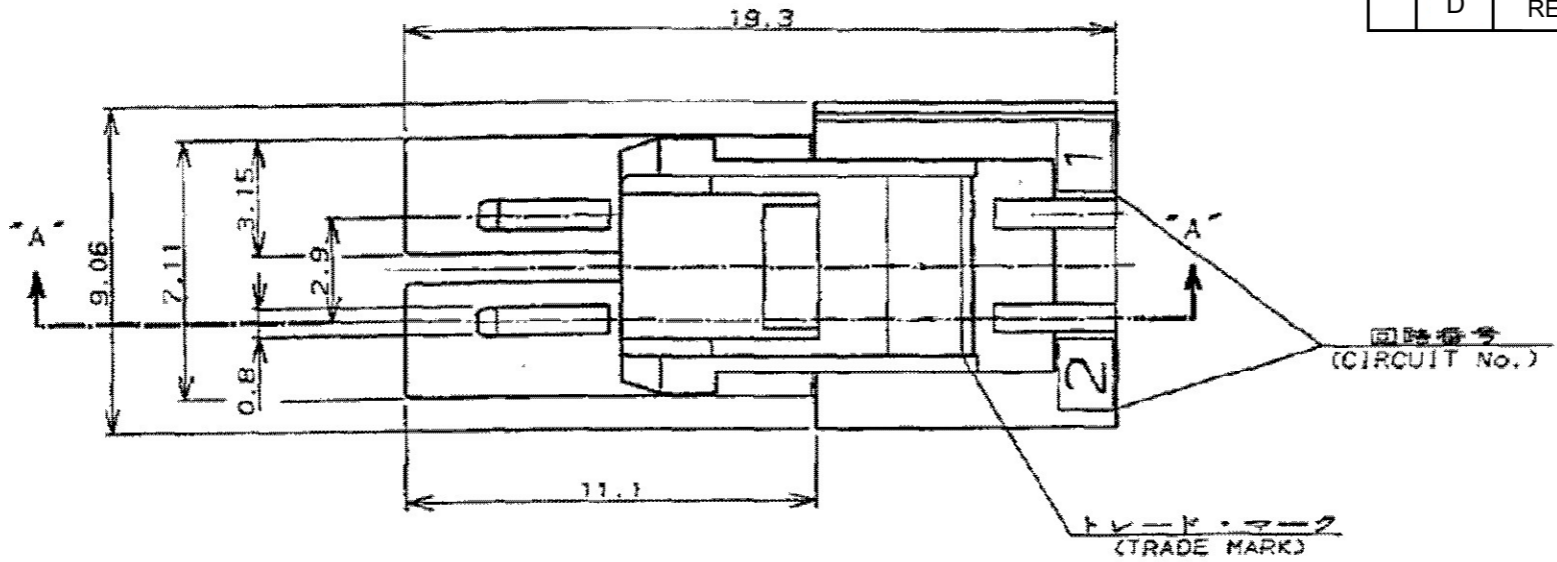
Discontinued	黒 (BLACK)	↑	176270-9
Development	青 (BLUE)	↑	-6
	黄 (YELLOW)	↑	-4
	赤 (RED)	↓	-2
	自然色 (NATURAL)	↑	176270-1
	ハウジング色調 (HOUSING COLOR)	極数 (Pos.)	型番 (P/N)

© 19 年 日本エー・エム・ピー株式会社				© 19 BY AMP (Japan) LTD.				AMP 日本エー・エム・ピー株式会社 Tokyo, Japan	
組合電線断面積 (WIRE RANGE)		被覆外径 (INSULATION DIA.)		名称 (NAME) AMPユニバーサル・パワー・コネクタ 1極 3.95mmピッチ プラグ・ハウジング (1列タイプ) AMP UNIVERSAL POWER CONN. 3.95mm PITCH PLUG HOUSING 1 Pos (SGL ROW)					
材料 (MATERIAL)		仕上 (FINISH)		一般公差		SIZE	LOC	番号 (No.)	
6/6 ナイロン (UL94V-0)		---		10μT ±0.2		A3	J	C-176270	
6/6 NYLON (UL94V-0)		---		100μT ±0.25		尺度 (SCALE)		REV.	SHEET
DR. 11/23 '89 M. SHINDO		DE. '89 M. SHINDO 11/26		300μT ±0.3		REV. B		1 OF 1	
CHK. Y. FUJITA 11/28		APP. '89		角 度 ±3°					
LTR 変更 (REVISION RECORD)	DR	CHK	DATE						

(CUSTOMER DRAWING) 参考 面

THIS DRAWING IS UNPUBLISHED. RELEASED FOR PUBLICATION
 © COPYRIGHT ALL INTERNATIONAL RIGHTS RESERVED.

LOC	DIST	REVISIONS					
J	—	P	LTR	DESCRIPTION	DATE	DWN	APVD
			C6	REVISED PER ECR-19-017851	26NOV2019	SM	DZ
			D	REVISED PER ECR-19-017623	17DEC2020	MG	DZ



- 1. APPLICABLE CONTACT PART NUMBER;
 REC CONTACT: 175152-□ (#20-#16AWG)
 175151-□ (#26-#22AWG)
- 2. TO BE USED WITH THE CONTACT WHICH IS RATED 105°C MAX
- 3. MATERIAL: PA66, UL94 V-0, GWIT 775°C

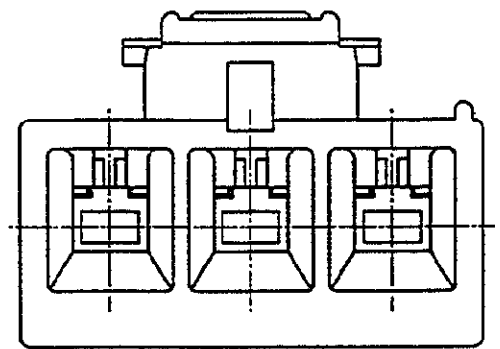
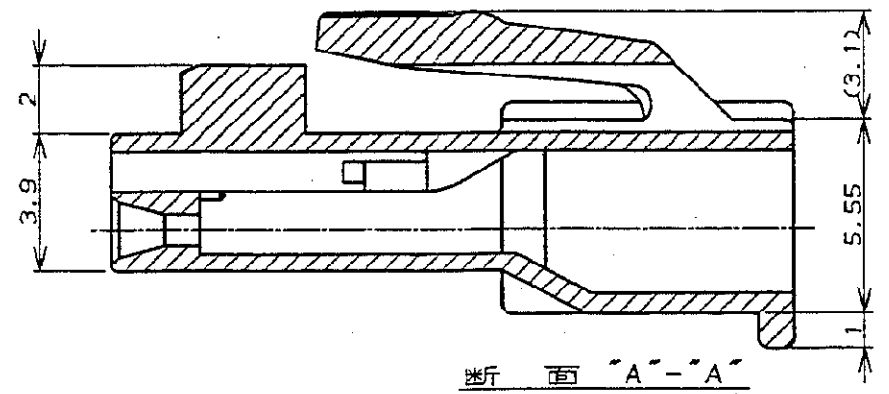
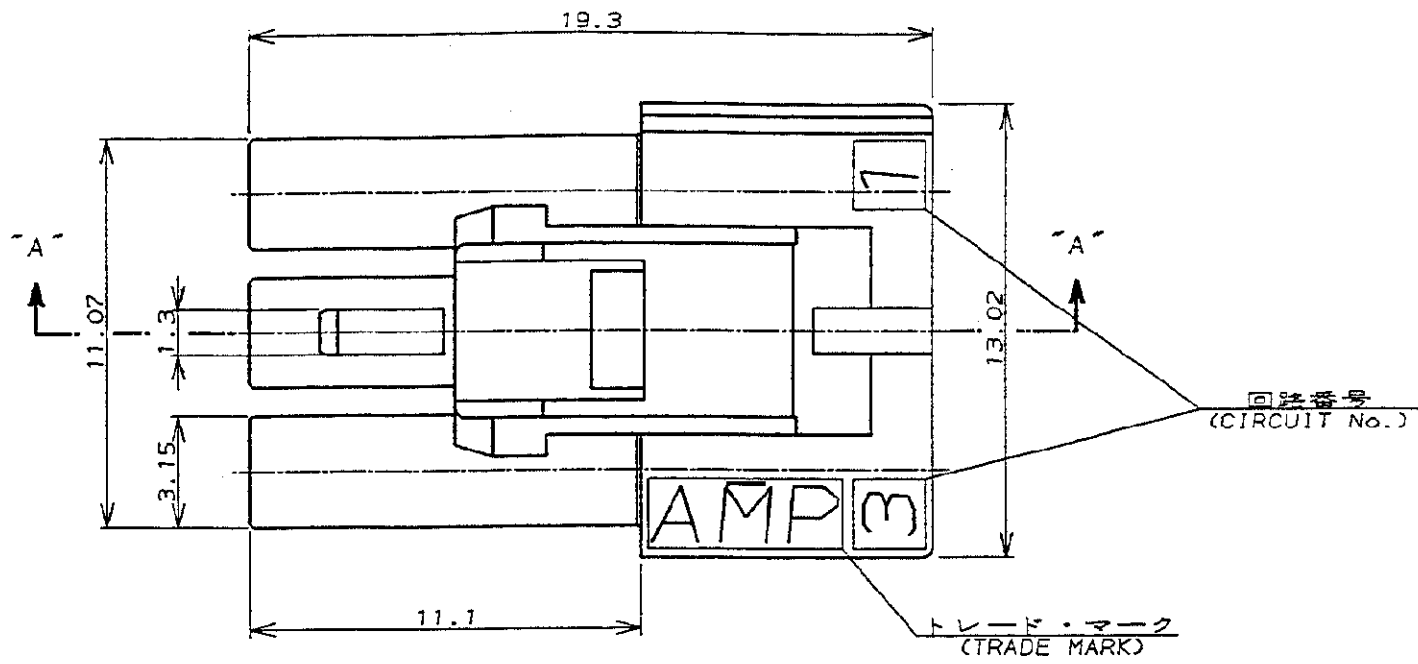
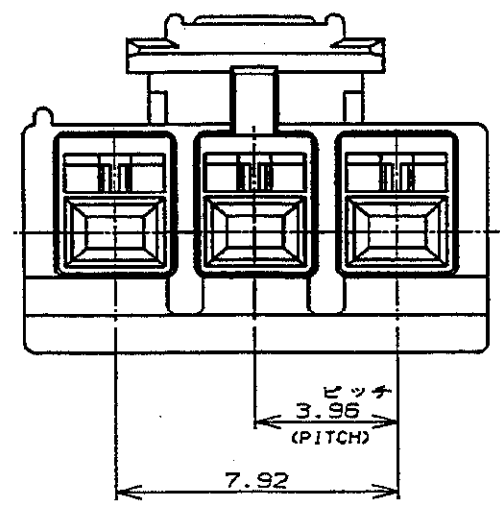
1-176282-5	130°C MAX	△3	GREEN 绿	2	1-176271-5
1-176282-1	130°C MAX	△3	NATURAL 自然色		1-176271-1 _{△2}
176282-□ 176292-□	105°C MAX	PA66	BLACK 黒	2	176271-9
			BLUE 青		176271-6
			YELLOW 黄		176271-4
			RED 赤		176271-2
NATURAL 自然色				176271-1	
MATING CONN. PART NUMBER 嵌合相手型番	TEMPERATURE RATING 定格温度	TYPE 種類	HOUSING COLOR 色	Pos. 極数	PART NUMBER 型番
		MATERIAL 材料			

- 1. 適用端子型番;
 リセコンタクト: 175152-□ (#20-#16AWG)
 175151-□ (#26-#22AWG)
- 2. 適用コンタクトの使用温度は最大105°C

THIS DRAWING IS A CONTROLLED DOCUMENT.

DWN M.SHINDO 08NOV1989	
CHK Y.FUJITA 08NOV1989	
APVD Y.FUJITA 08NOV1989	
PRODUCT SPEC 108-5302	
APPLICATION SPEC 114-5142	NAME AMP UNIVERSAL POWER CONN. 3.96mm PITCH PLUG HOUSING 2 Pos. (SGL ROW) AMP ユニバーサルパワーコネクタ 2極 3.96mmピッチ キャップハウジング
MATERIAL SEE TABLE	SIZE A3
	CAGE CODE 00779
	DRAWING NO C-176271
	RESTRICTED TO —
	CUSTOMER DRAWING
	SCALE NTS
	SHEET 1 OF 1
	REV D

NUMBER C-176272
METRIC
三角板 (3rd ANGLE PROJECTION)



- 注:
- 適用製品規格: 108-5302
 - 適用コンタクト型番
リセ・コンタクト: 175152-[(#20-#16AWG)
175151-[(#26-#22AWG)
 - 嵌合相手側製品型番
キャップ・ハウジング: 176283-[(宙吊りタイプ)
176293-[(パネル取付タイプ)
タブ・コンタクト: 175150-[(#20-#16AWG)
175149-[(#26-#22AWG)
 - 取扱説明書: IS-503J

- NOTES:
- PRODUCT SPEC: 108-5302
 - APPLICABLE CONTACT P/N
REC CONTACT: 175152-[(#20-#16AWG)
175151-[(#26-#22AWG)
 - MATING CONN, P/N
CAP HSG: 176283-[(FREE HANGING)
176293-[(PANEL MOUNT)
TAB CONTACT: 175150-[(#20-#16AWG)
175149-[(#26-#22AWG)
 - INSTRUCTION SHEET: IS-503J
 - APPLICATION SPEC: 114-5142

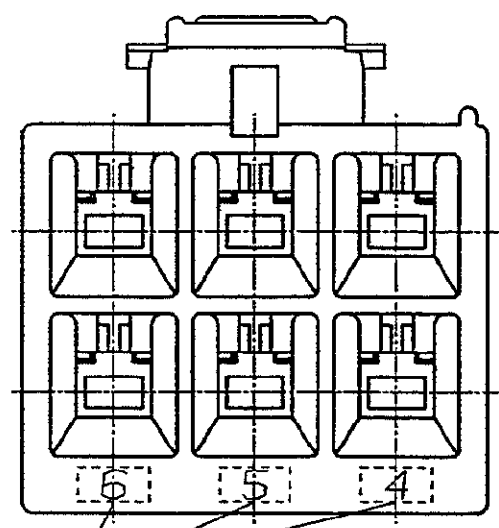
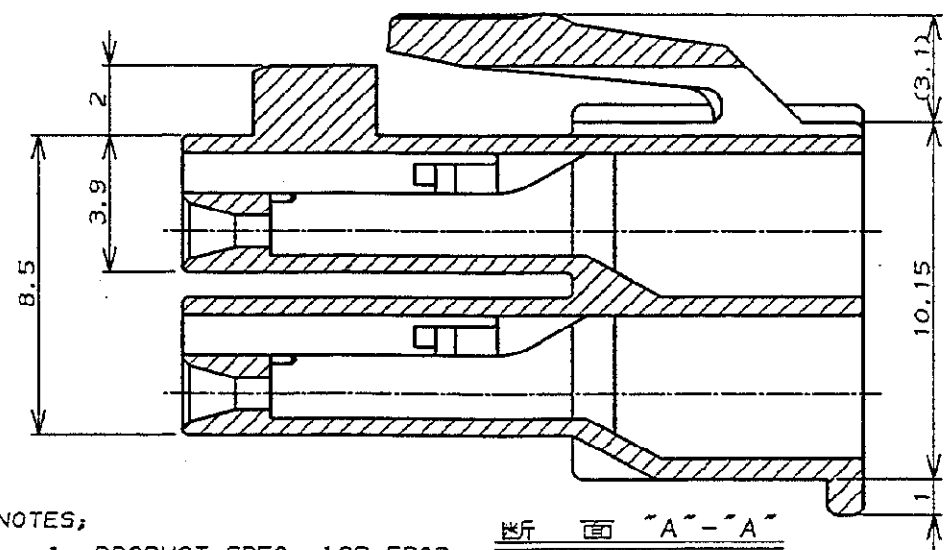
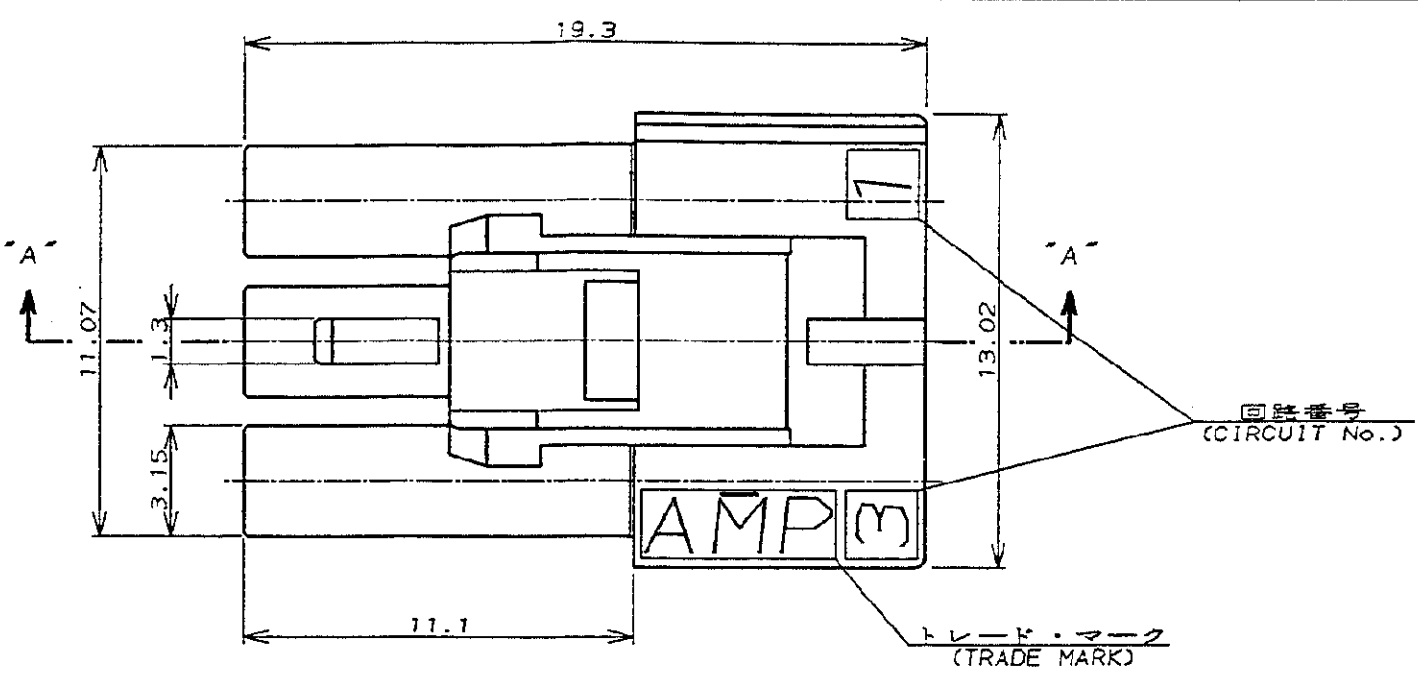
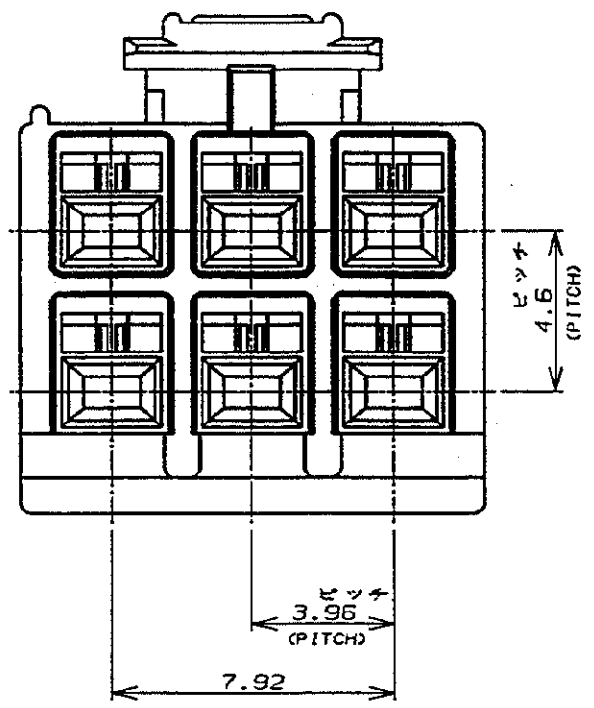
黒 (BLACK)	3	176272-9
青 (BLUE)	↑	↑ -6
黄 (YELLOW)	↑	↑ -4
赤 (RED)	↓	↓ -2
自然色 (NATURAL)	3	176272-1
ハウジング色調 (HOUSING COLOR)	極数 (Pos.)	型番 (P/N)

PRINT DIST
単位: 概 DIMENSIONS IN MM. DO NOT SCALE PRINT

<p>TE Connectivity</p>			
<p>総合電線断面積 (WIRE RANGE) mm² (AWG -)</p>		<p>被覆外径 (INSULATION DIA.) mmφ</p>	
<p>材料 (MATERIAL) 6/6 ナイロン (UL94V-0) 6/6 NYLON (UL94V-0)</p>		<p>仕上 (FINISH) ---</p>	
<p>名称 (NAME) AMPユニバーサルパワーコネクタ 3極 3.96mmピッチ プラグハウジング (1列タイプ) AMP UNIVERSAL POWER CONN. 3.96mm PITCH PLUG HOUSING 3 Pos (SGL ROW)</p>		<p>一般公差 10mm以下: ±0.2 10mm以上 30mm以下: ±0.25 30mm以上 100mm以下: ±0.3 角: ±3°</p>	
<p>DR. 11/8 '89 M. SHINDO DE. 11/8 '89 M. SHINDO CHK. '89 Y. FUJITA APP. 11/8</p>		<p>SIZE LOC 番号 (No.) A3 J C-176272</p>	
<p>C REVISED PER EECR-19-017623 MG DZ 20AUG 2021</p>		<p>B1 REVISED PER ECO-11-005294 RK HMR 08APR11</p>	
<p>LTR 変更 (REVISION RECORD) DR CHK DATE</p>		<p>尺度 (SCALE) REV. C SHEET 1 OF 1</p>	

(CUSTOMER DRAWING) 参考 面

NUMBER C-176274
 METRIC
 三角板(3rd ANGLE PROJECTION)
 単位、寸法 DIMENSIONS IN MM. DO NOT SCALE PRINT
 PRINT DIST



- NOTES;
- PRODUCT SPEC.: 108-5302
 - APPLICABLE CONTACT P/N
 REC CONTACT: 175152-□ (*20-#16AWG)
 175151-□ (*26-#22AWG)
 - MATING CONN, P/N
 CAP HSG: 176285-□ (FREE HANGING)
 176295-□ (PANEL MOUNT)
 TAB CONTACT: 175150-□ (*20-#16AWG)
 175149-□ (*26-#22AWG)
 - INSTRUCTION SHEET: IS-503J
 - APPLICATION SPEC: 114-5142

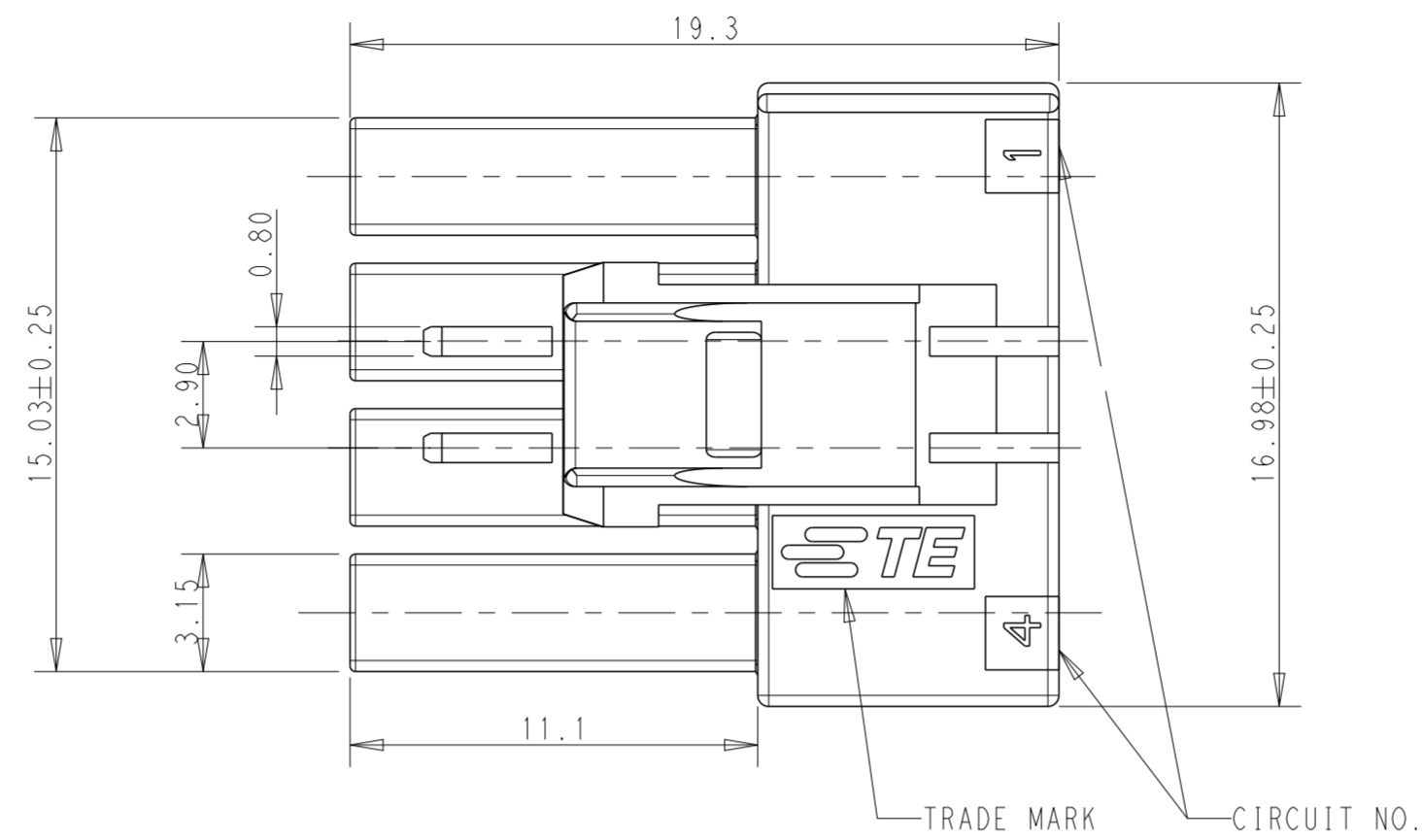
- 注:
- 通用製品規格: 108-5302
 - 通用コンタクト型番
 リセ・コンタクト: 175152-□ (*20-#16AWG)
 175151-□ (*26-#22AWG)
 - 嵌合相手側製品型番
 キャップ・ハウジング: 176285-□ (宙吊りタイプ)
 176295-□ (パネル取付タイプ)
 タブ・コンタクト: 175150-□ (*20-#16AWG)
 175149-□ (*26-#22AWG)
 - 取扱説明書: IS-503J

黒 (BLACK)	6	176274-9
青 (BLUE)	↑	↑ -6
黄 (YELLOW)	↑	↑ -4
赤 (RED)	↓	↓ -2
自然色 (NATURAL)	6	176274-1
ハウジング色調 (HOUSING COLOR)	極数 (Pos.)	型番 (P/N)

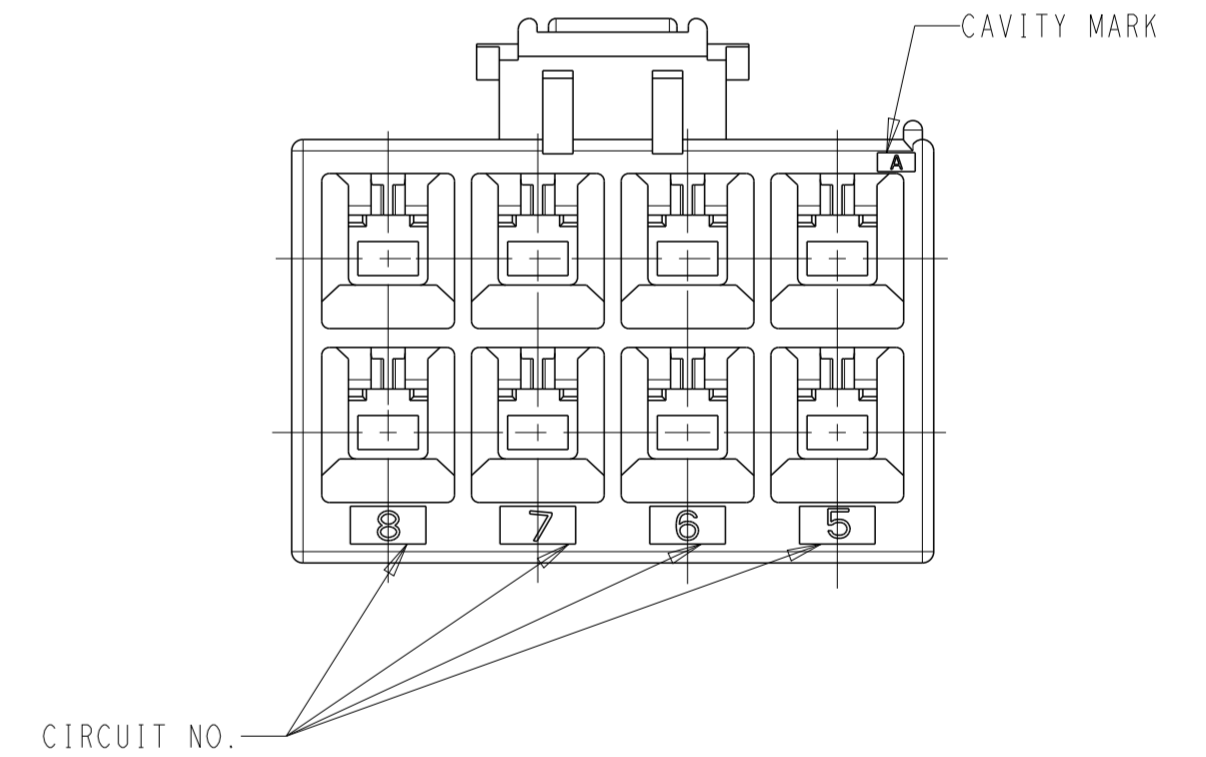
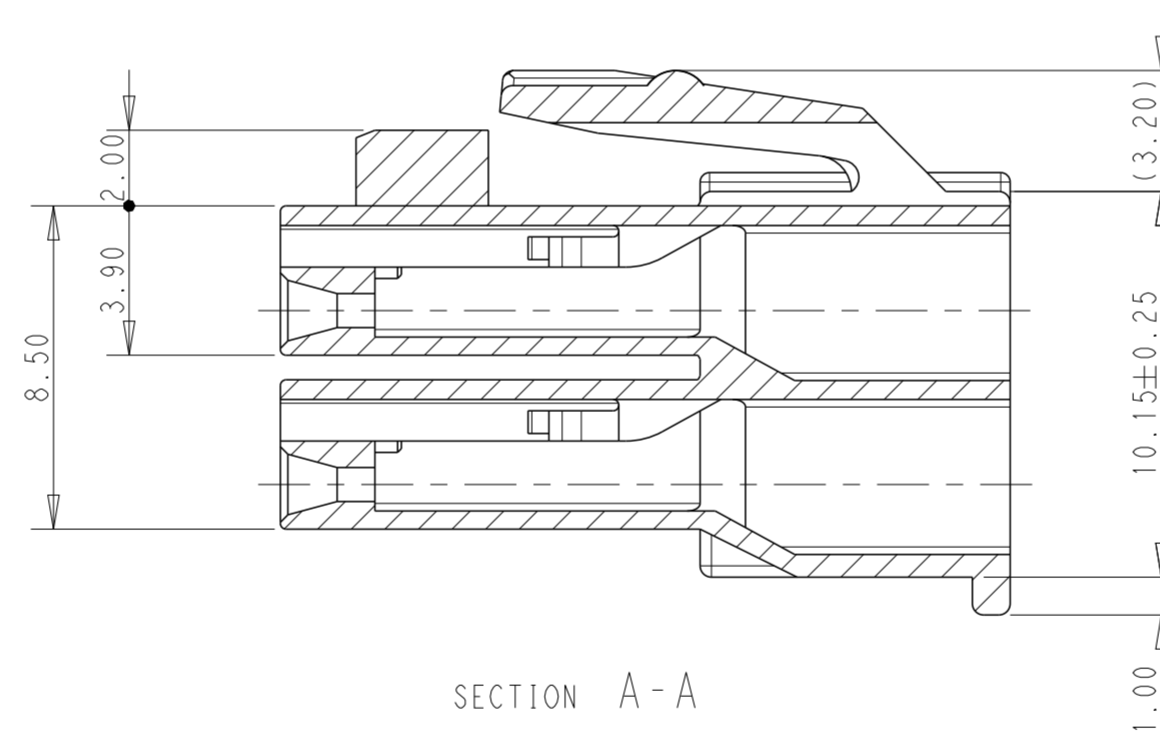
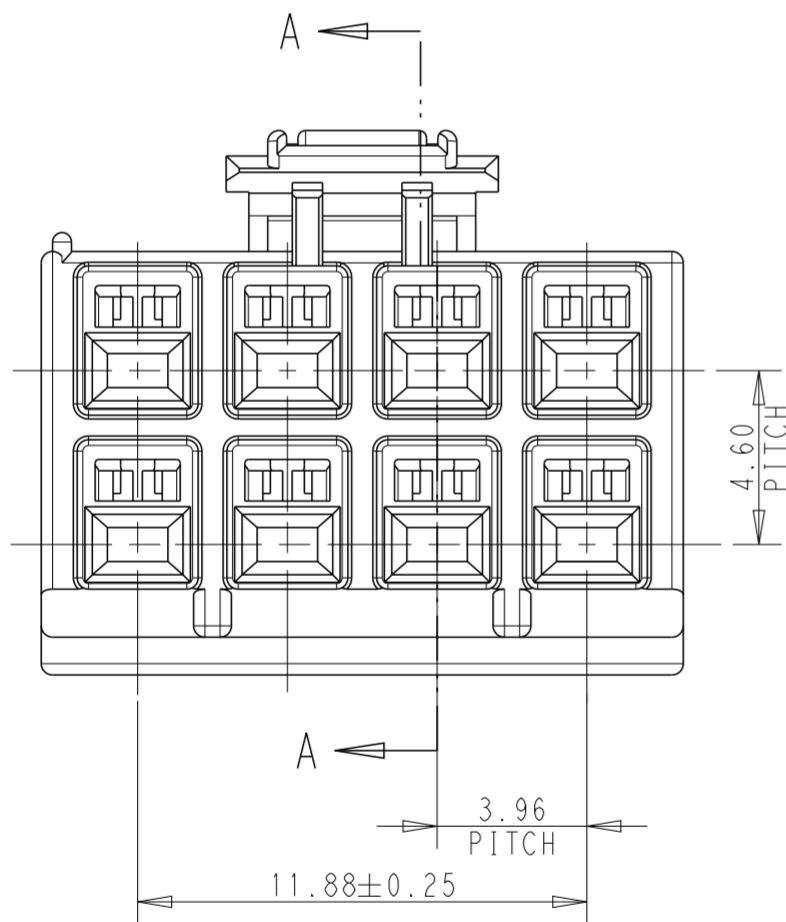
C REVISED PER ECR-19-017623 M.G D.Z 20AUG 2021		M.G D.Z 20AUG 2021		DR. M. SHINDO '89 11/8		DE. M. SHINDO '89 11/8		STE TE Connectivity 名称 (NAME) AMPユニバーサルパワーコネクタ 6極 3.96mmピッチ プラグハウジング (2列タイプ) AMP UNIVERSAL POWER CONN. 3.96mm PITCH PLUG HOUSING 6 Pos (DBL ROW)	
B1 REVISED PER ECO-11-005924 RK HMR 08APR11		RK HMR 08APR11		DR. M. SHINDO '89 11/8		DE. M. SHINDO '89 11/8		一般公差 10以下: ±0.2 10以上 30以下: ±0.25 30以上 100以下: ±0.3 角 度: ±3°	
LTR 変更 (REVISION RECORD) DR CHK DATE		DR. Y. FUJITA 11/8		CHK. Y. FUJITA 11/8		APP. N. ONOUE 11/8		SIZE LOC 番号 (No.) A3 J C-176274 尺度 (SCALE) REV. SHEET C 1 OF 1	

(CUSTOMER DRAWING) 参 考 図 面

REVISIONS					
P	LTR	DESCRIPTION	DATE	DWN	APVD
B		REVISED PER ECR-20-100642	19SEP2022	M.G	D.Z



- 1 APPLICABLE CONTACT P/N:
 REC CONTACT: 175152-□ (20-16 AWG)
 175151-□ (26-22 AWG)
 - 2 MATING CONN. P/N:
 CAP HSG: 176286-□ (FREE HANGING)
 176296-□ (PANEL MOUNT)
 - 3 TAB CONTACT: 175150-□ (20-16 AWG)
 175149-□ (26-22 SWG)
- INSTRUCTION SHEET: IS-503J.

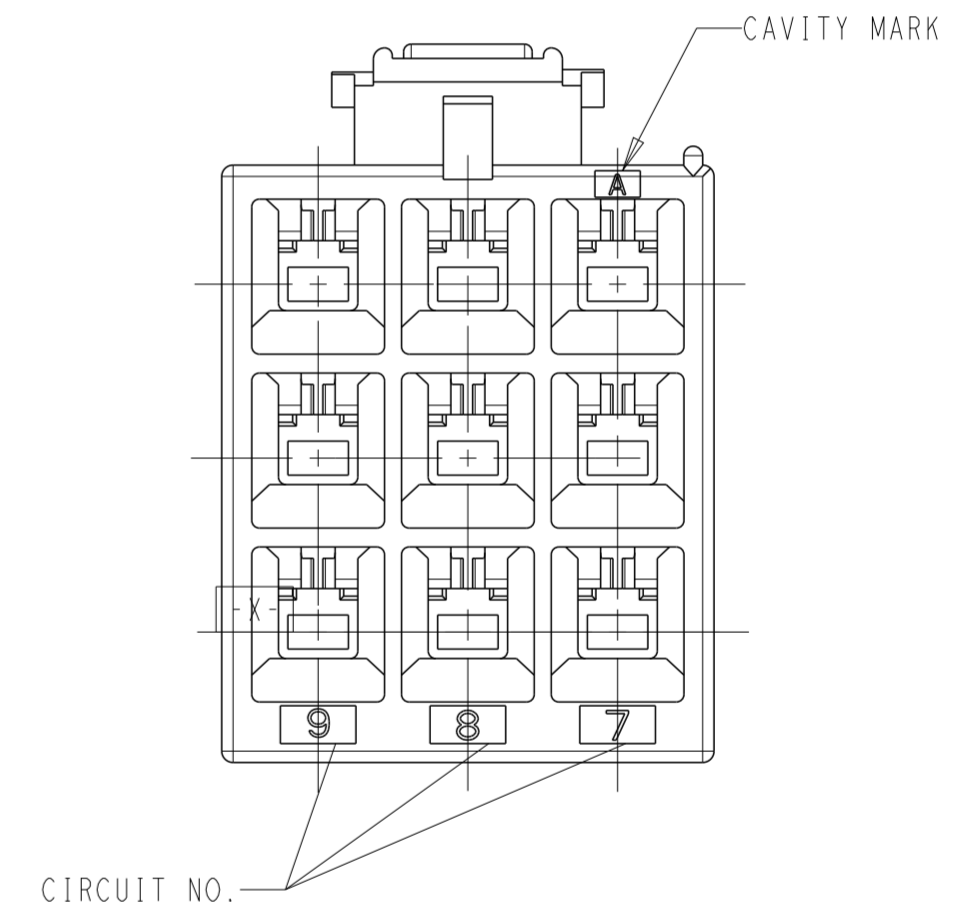
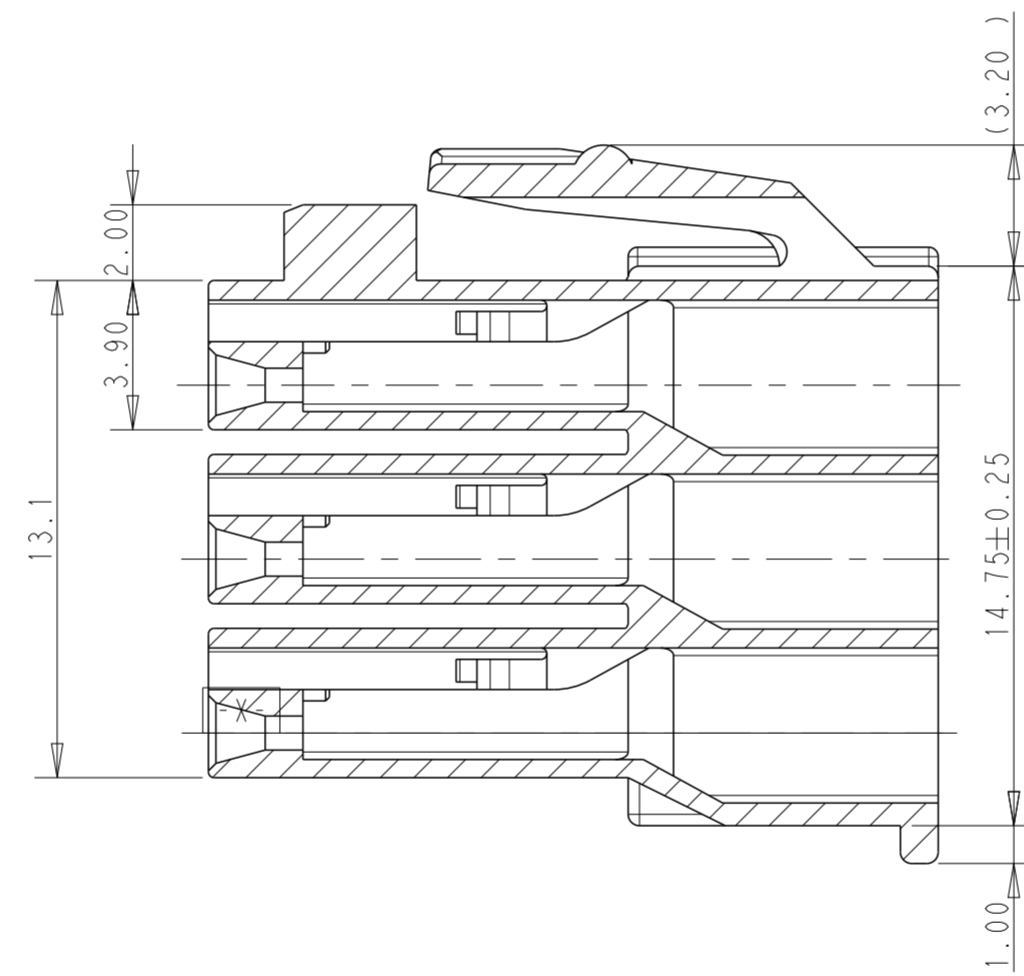
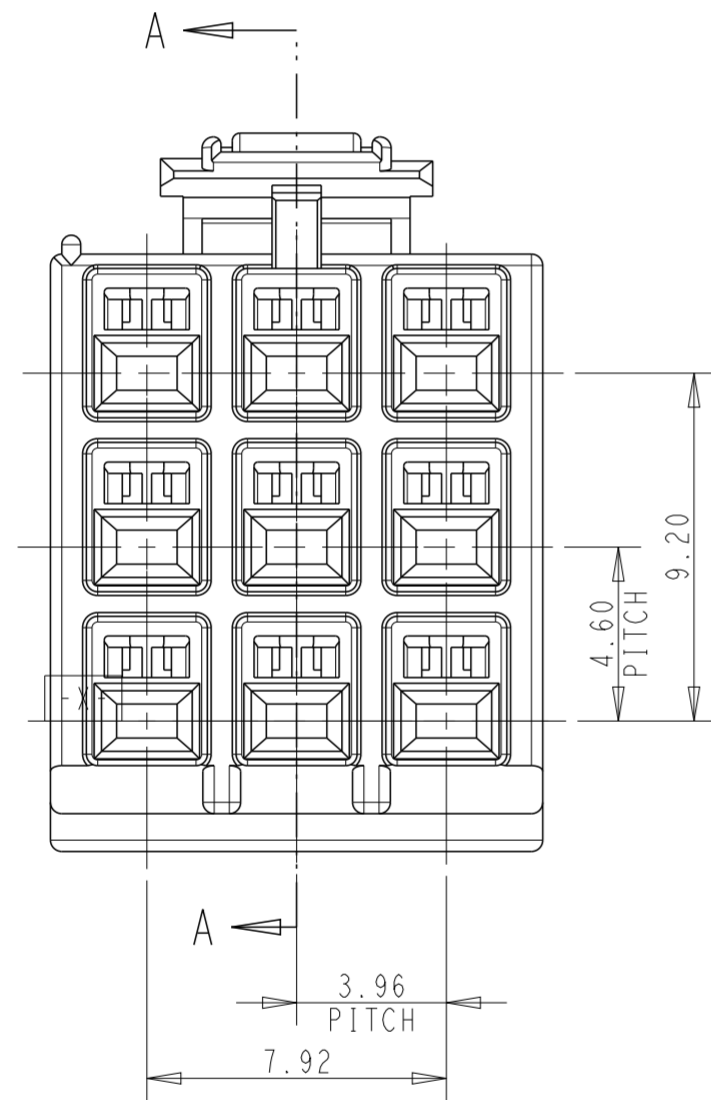
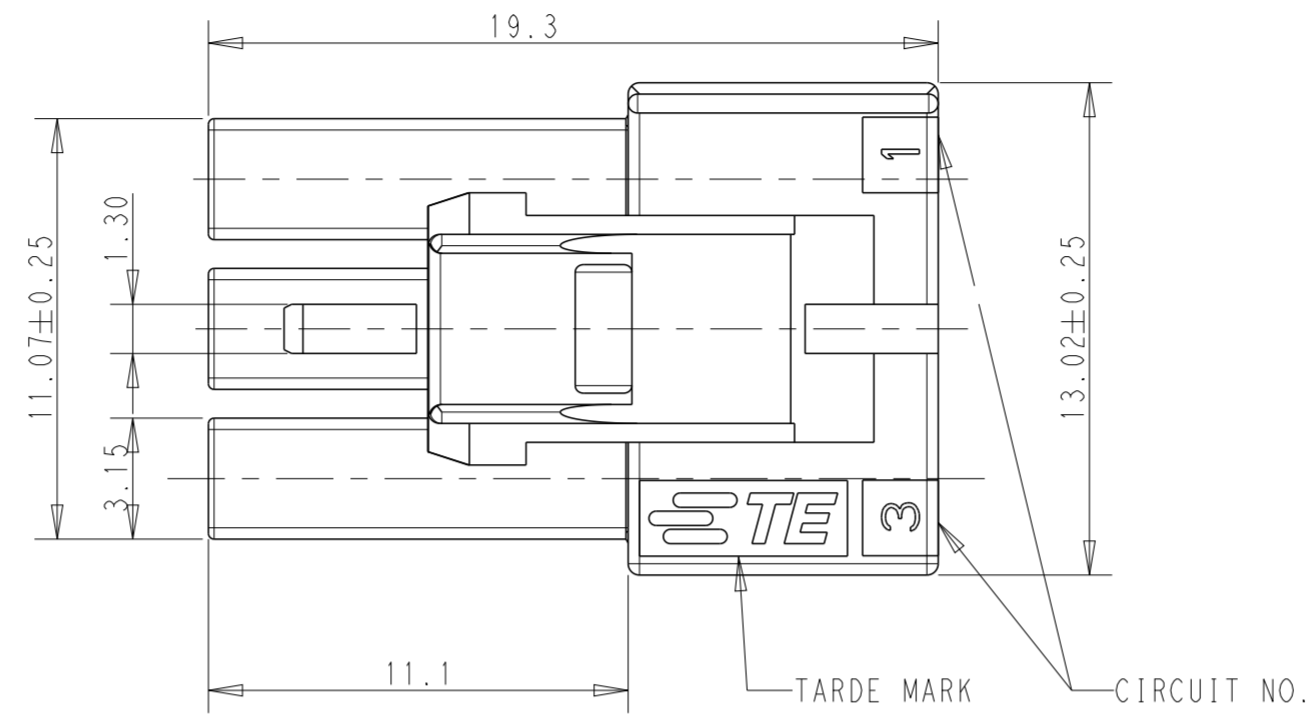


HOUSING COLOR	POSITION	PART NUMBER
BLACK	8	176275-9
BLUE	8	176275-6
YELLOW	8	176275-4
RED	8	176275-2
NATURAL	8	176275-1

THIS DRAWING IS A CONTROLLED DOCUMENT.		DWN M. SHINDO 23NOV1989	STE TE Connectivity	
DIMENSIONS: mm		CHK Y. FUJITA 23NOV1989		
TOLERANCES UNLESS OTHERWISE SPECIFIED:		APVD N. ONOUE 23NOV1989	NAME PLUG HOUSING, 3.96PITCH 8 POS AMP UNIVERSAL POWER CONN.	
0 PLC ± 1 PLC ±0.25 2 PLC ±0.2 3 PLC ± 4 PLC ± ANGLES ±3° FINISH -		PRODUCT SPEC 108-5302	RESTRICTED TO	
MATERIAL 6/6 NYLON (UL94V-0)		APPLICATION SPEC 114-5142	SIZE A2	CAGE CODE 00779
		WEIGHT -	DRAWING NO C-176275	SCALE 5:1
		CUSTOMER DRAWING	SHEET 1 OF 1	REV C

P	LTR	DESCRIPTION	DATE	DWN	APVD
C		REVISED PER ECR-20-100642	19SEP2022	M.G	D.Z

- 1 APPLICABLE CONTACT P/N:
 REC CONTACT: 175152-□ (20-16 AWG)
 175151-□ (26-22 AWG)
- 2 MATING CONN. P/N:
 CAP HSG: 176287-□ (FREE HANGING)
 176297-□ (PANEL MOUNT)
 TAB CONTACT: 175150-□ (20-16 AWG)
 175149-□ (26-22 AWG)
- 3 INSTRUCTION SHEET: IS-503J.



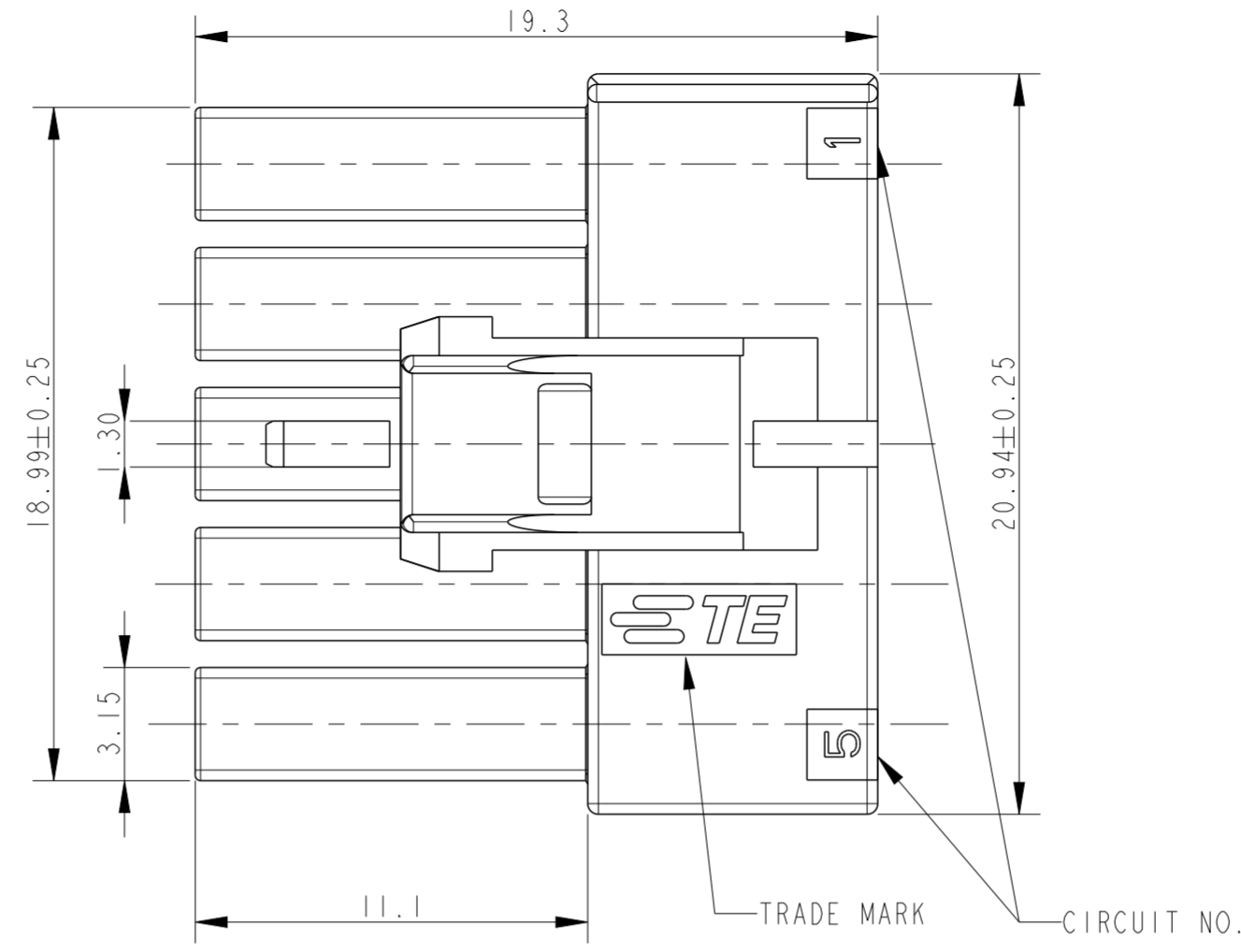
DEVELOPMENT	HOUSING COLOR	POSITION	PART NUMBER
	BLACK	9	176276-9
	BLUE	9	176276-6
	YELLOW	9	176276-4
	RED	9	176276-2
	NATURAL	9	176276-1

THIS DRAWING IS A CONTROLLED DOCUMENT.

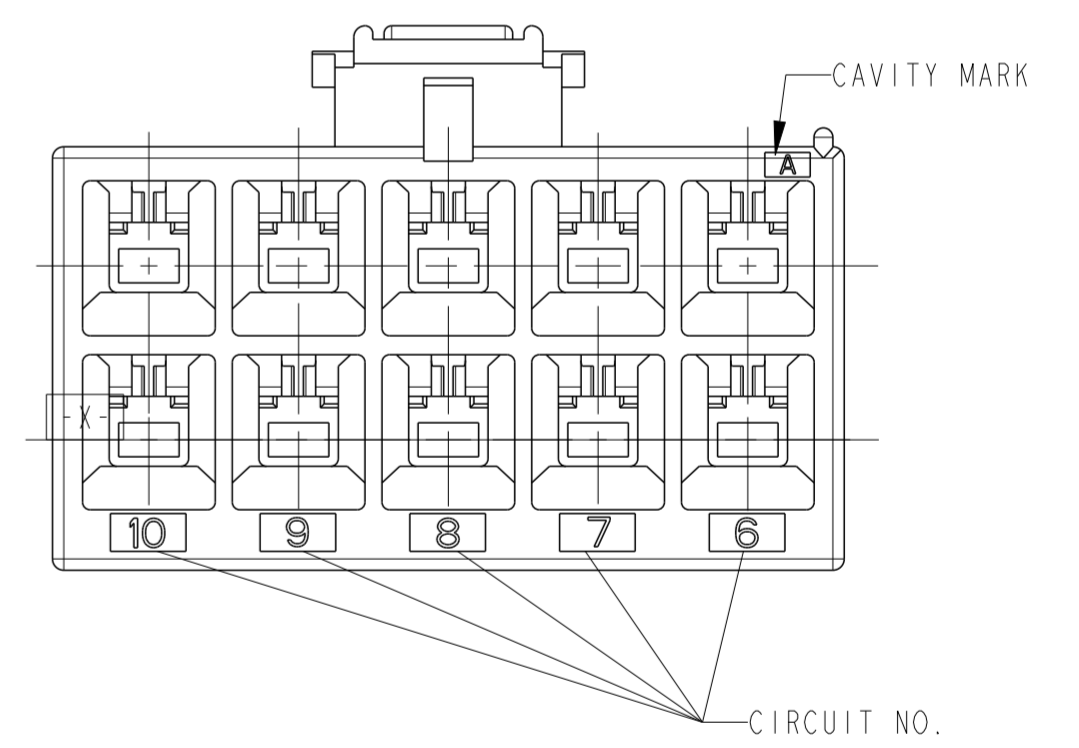
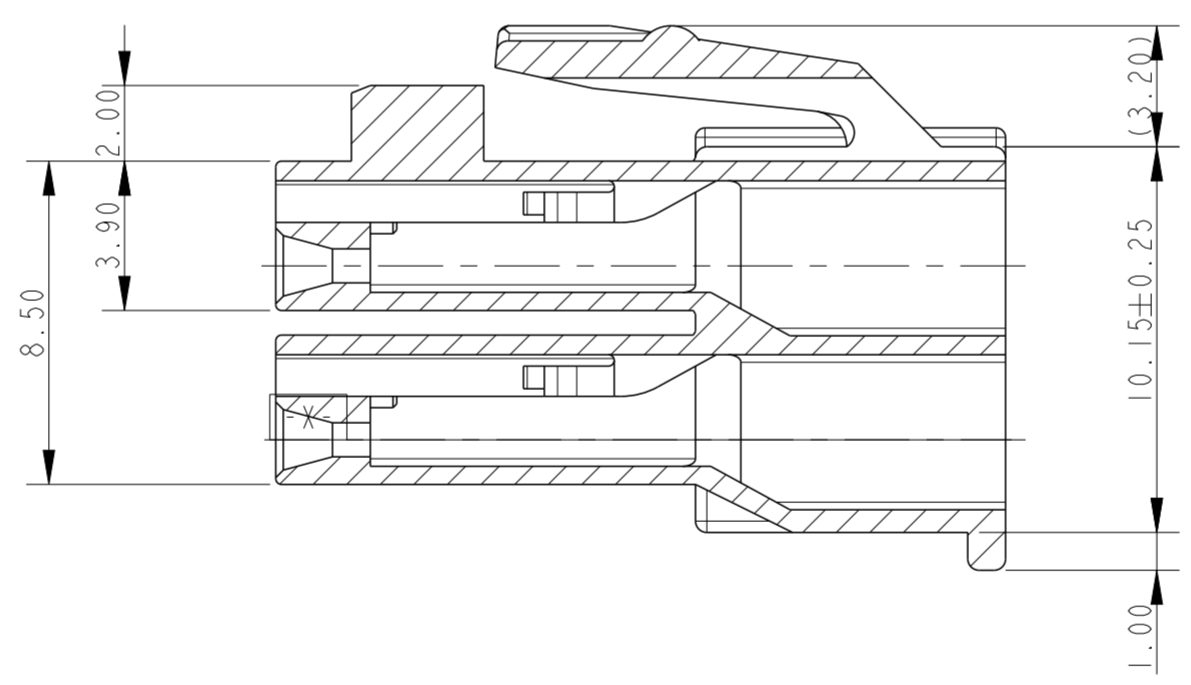
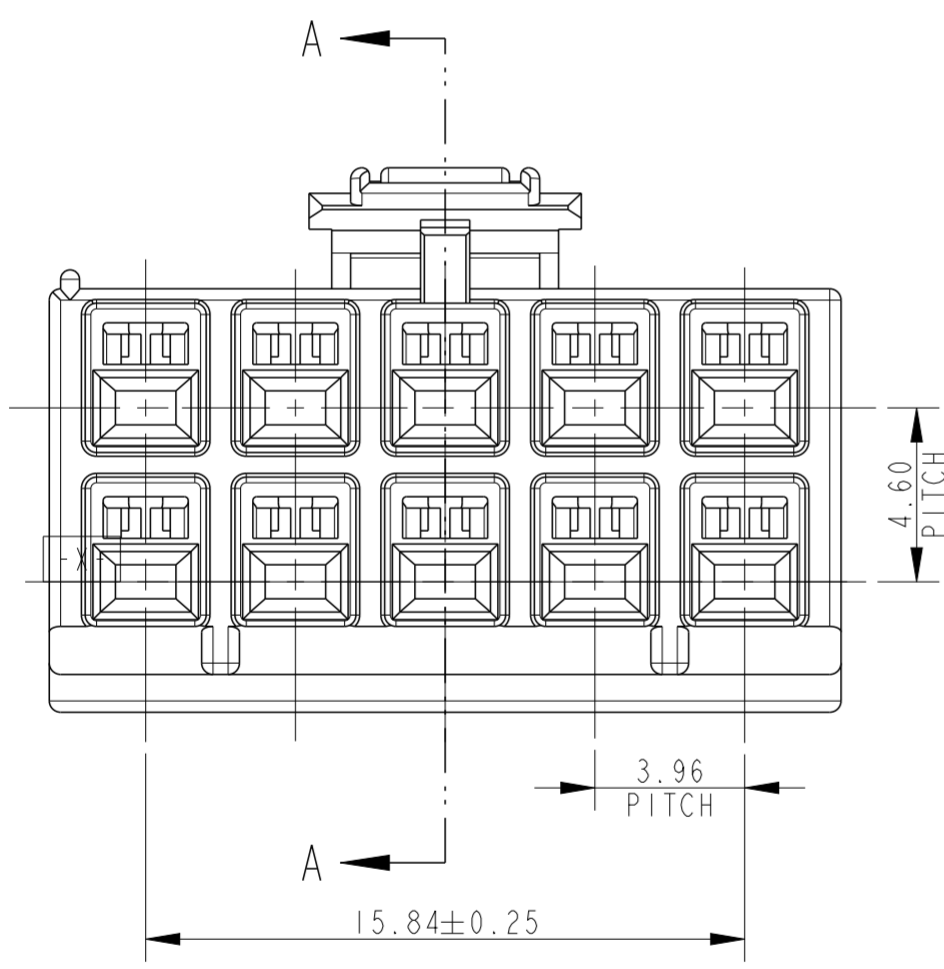
DIMENSIONS: mm	TOLERANCES UNLESS OTHERWISE SPECIFIED: 0 PLC ± 1 PLC ±0.25 2 PLC ±0.20 3 PLC ± 4 PLC ± ANGLES ±3° FINISH -	MATERIAL 6/6 NYLON (UL94V-0)	DWN 08NOV1989 M. SHINDO CHK 13NOV1989 Y. FUJITA APVD 13NOV1989 N. ONOUE PRODUCT SPEC 108-5302 APPLICATION SPEC 114-5142 WEIGHT -	NAME AMP UNIVERSAL POWER CONN 3.96MM PITCH 9 POS PLUG HSG (TRIPLE ROW)	RESTRICTED TO -
CUSTOMER DRAWING			SCALE 5:1	SHEET 1 OF 1	REV C

TE Connectivity

REVISIONS					
P	LTR	DESCRIPTION	DATE	DWN	APVD
	C	REVISED PER ECR-20-100642	19SEP2022	M.G	D.Z



- 1 APPLICABLE CONTACT P/N:
 REC CONTACT: 175152-□ (20-16 AWG)
 175151-□ (26-22 AWG)
- 2 MATING CONN. P/N:
 CAP HSG: 176288-□ (FREE HANGING)
 176298-□ (PANEL MOUNT)
 TAB CONTACT: 175150-□ (20-16 AWG)
 175149-□ (26-22 AWG)
- 3 INSTRUCTION SHEET: IS-503J.

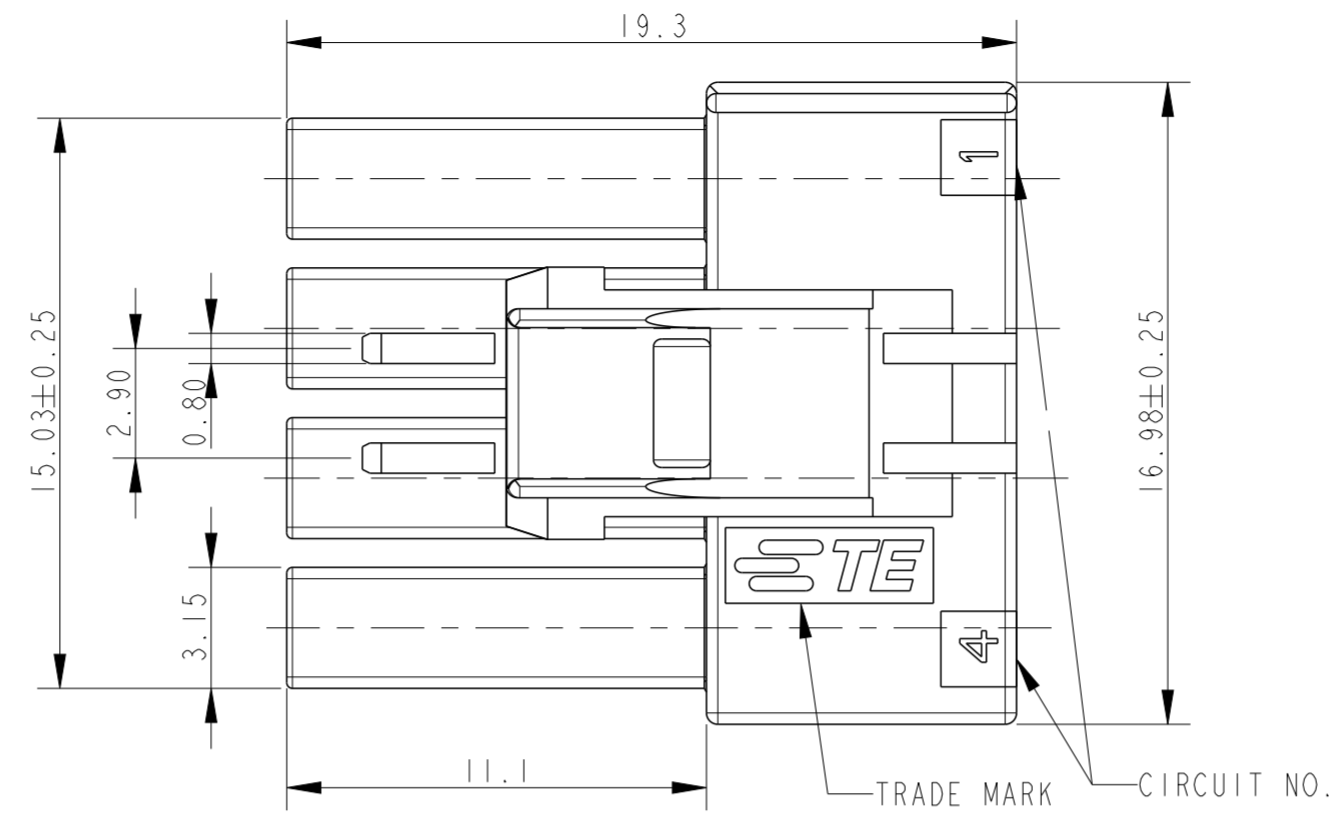


DISCONTINUED	—BLACK	10	176277-9
DISCONTINUED	—BLUE	10	176277-6
DISCONTINUED	—YELLOW	10	176277-4
DISCONTINUED	—RED	10	176277-2
	NATURAL	10	176277-1
	COLOR	POSITION	PART NO.

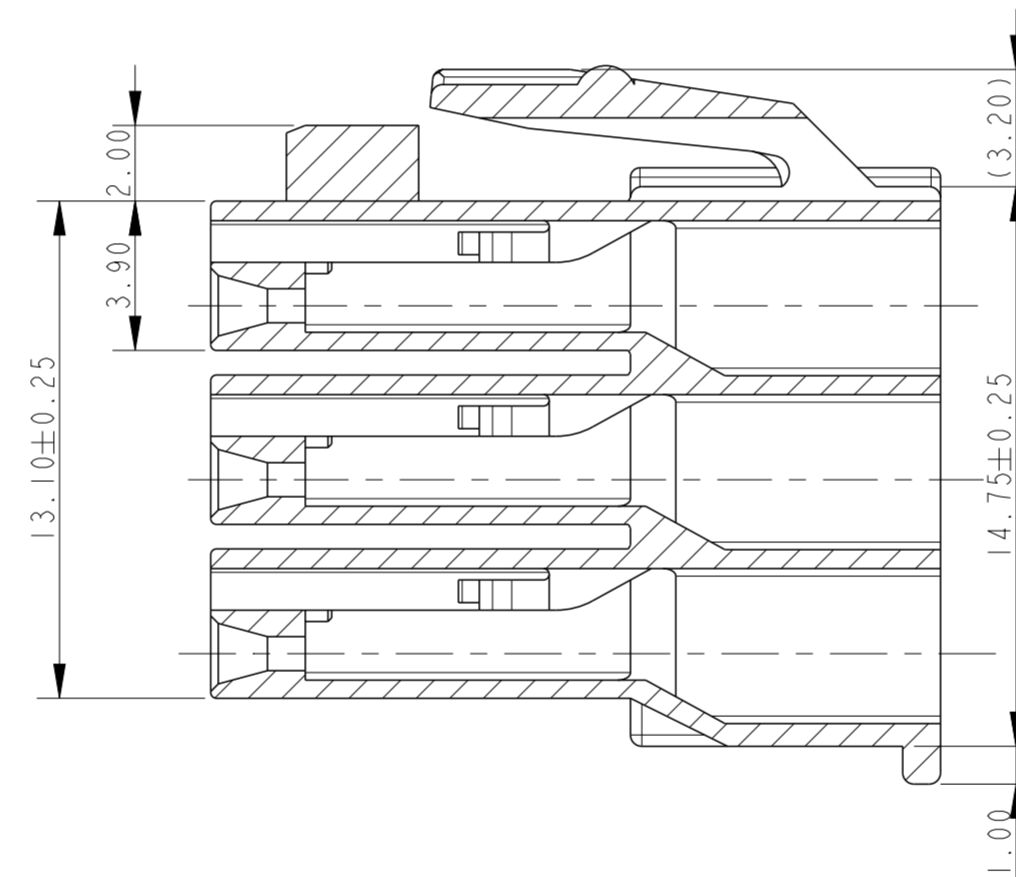
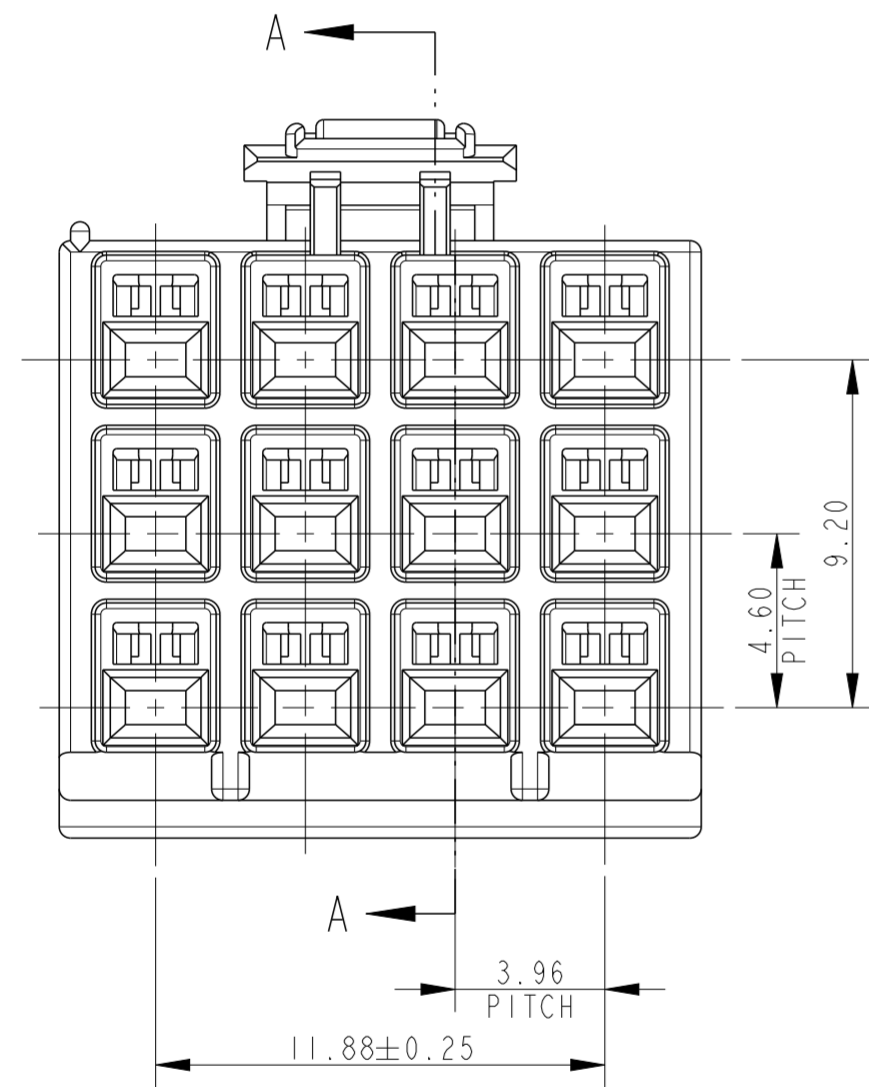
THIS DRAWING IS A CONTROLLED DOCUMENT.		DWN	M. SHINDO	23NOV1989
DIMENSIONS:		CHK	Y. FUJITA	23NOV1989
mm		APVD	N. ONOUE	23NOV1989
TOLERANCES UNLESS OTHERWISE SPECIFIED:		PRODUCT SPEC		
0 PLC	±	108-5302		
1 PLC	±0.25	APPLICATION SPEC		
2 PLC	±0.20	114-5142		
3 PLC	±	WEIGHT		
4 PLC	±	-		
ANGLES	±3°	RESTRICTED CUSTOMER		
FINISH	-	SCALE 5:1 SHEET 1 OF 1 REV C		
MATERIAL	6/6 NYLON (UL94V-0)	RESTRICTED TO		

TE Connectivity
 NAME: PLUG HOUSING, 3.96MM PITCH 10POS AMP UNIVERSAL POWER CONN.
 SIZE: A2 CAGE CODE: 00779 DRAWING NO: C-176277

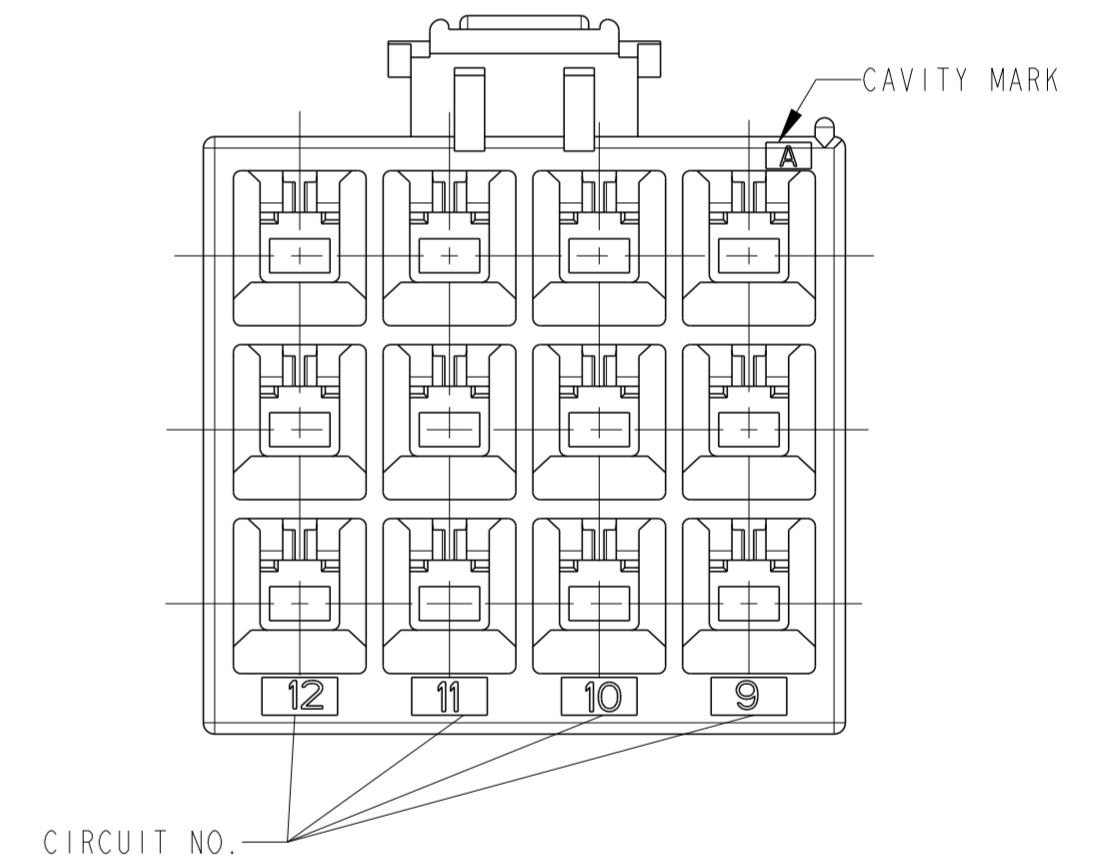
REVISIONS					
P	LTR	DESCRIPTION	DATE	DWN	APVD
C		REVISED PER ECR-20-100642	19SEP2022	M.G	D.Z



- 1 APPLICABLE CONTACT P/N:
 REC CONTACT: 175152-□ (20-16 AWG)
 175151-□ (26-22 AWG)
- 2 MATING CONN. P/N:
 CAP HSG: 176289-□ (FREE HANGING)
 176299-□ (PANEL MOUNT)
- TAB CONTACT: 175150-□ (20-16 AWG)
 175149-□ (26-22 SWG)
- 3 INSTRUCTION SHEET: IS-503J.



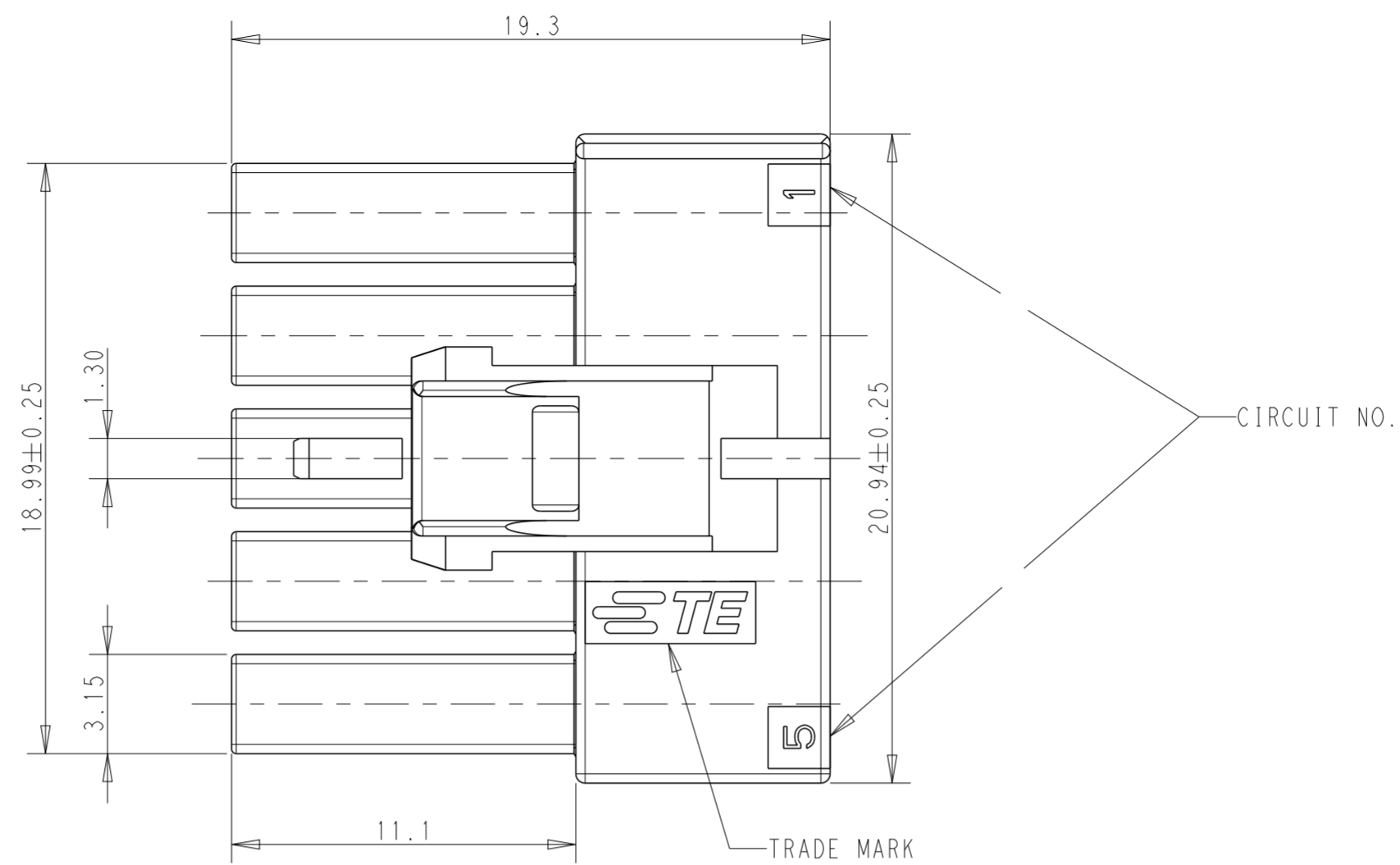
SECTION A-A



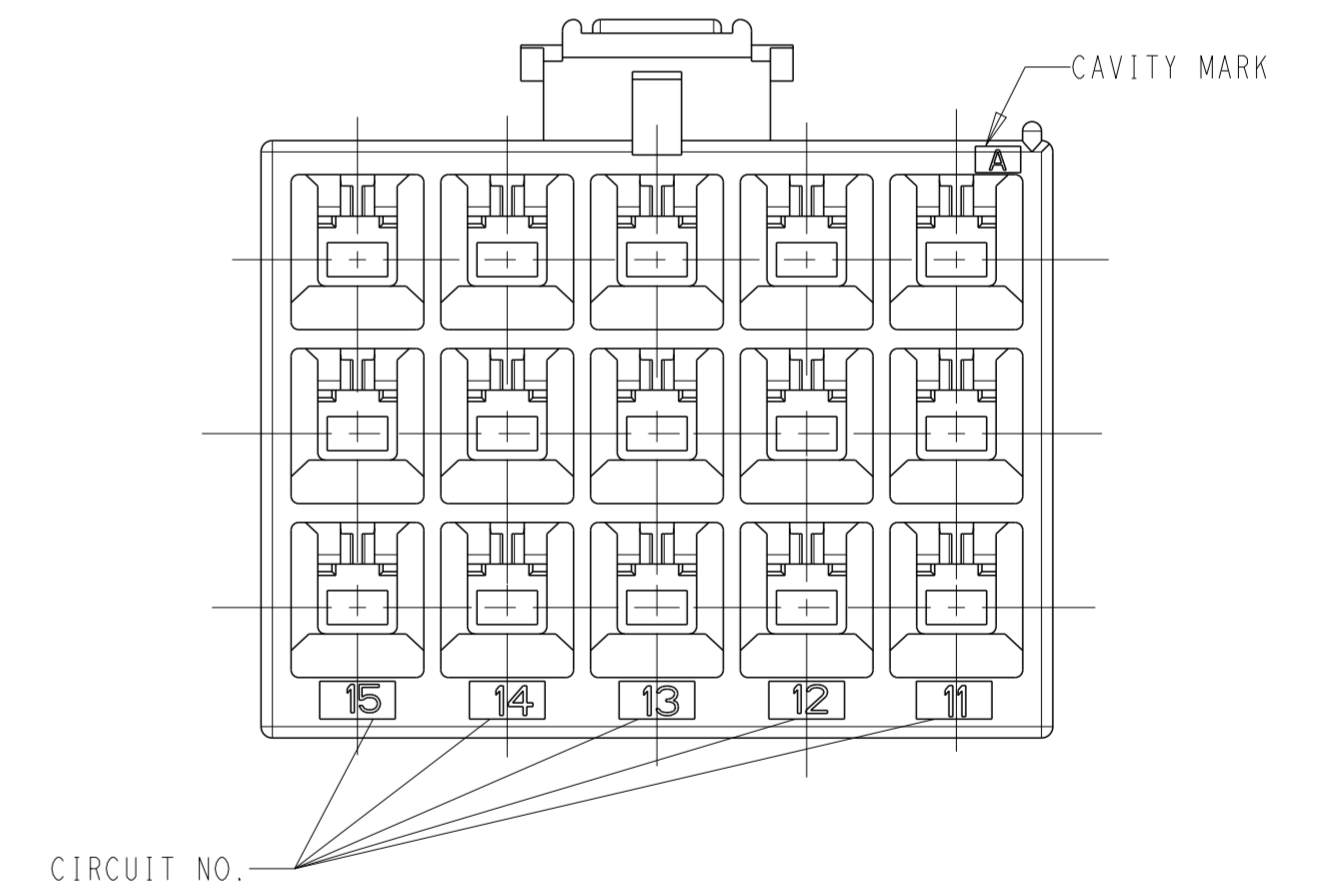
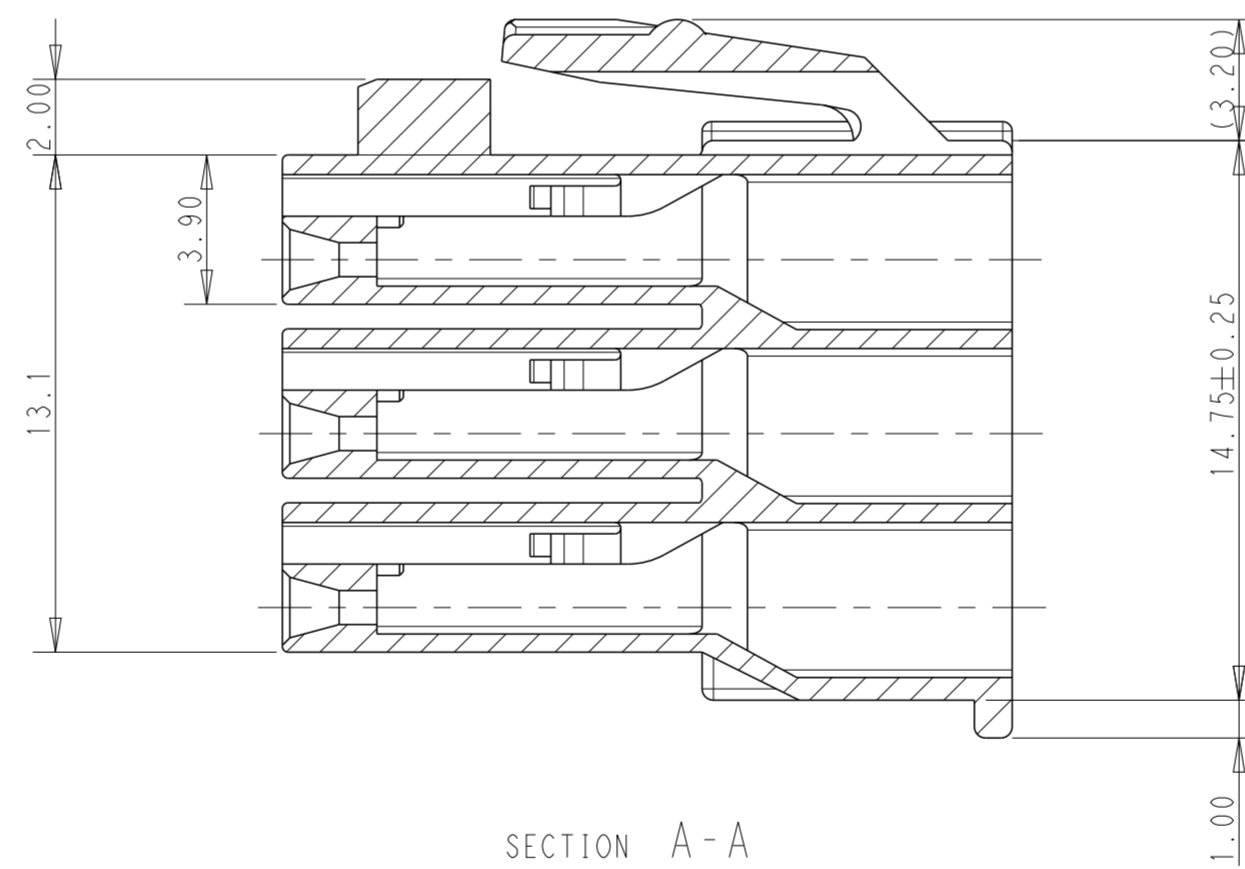
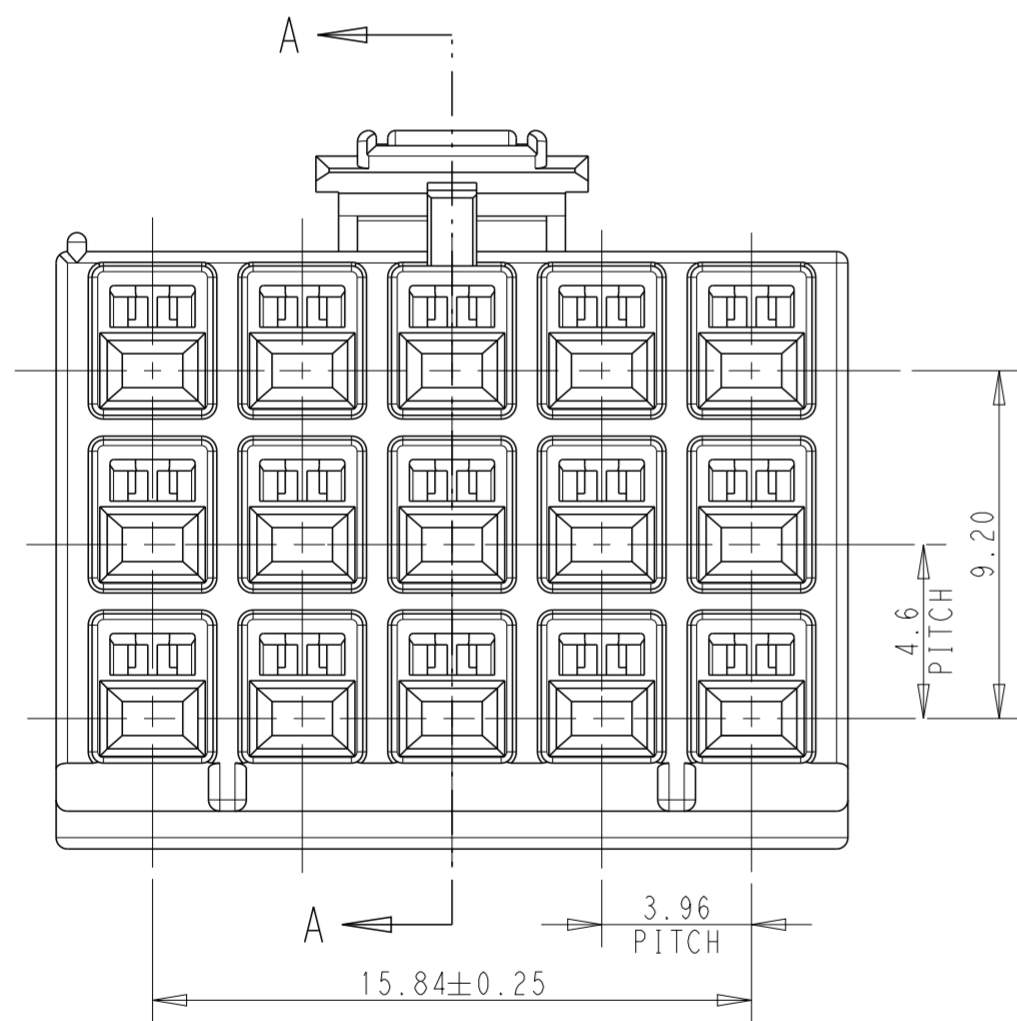
DEVELOPMENT	HOUSING COLOR	POSITION	PART NUMBER
	BLACK	12	176278-9
	BLUE	12	176278-6
DISCONTINUED	YELLOW	12	176278-4
DISCONTINUED	RED	12	176278-2
	NATURAL	12	176278-1

THIS DRAWING IS A CONTROLLED DOCUMENT.		DWN M. SHINDO 24NOV1989	STE TE Connectivity	
DIMENSIONS: mm		CHK Y. FUJITA 28NOV1989		
TOLERANCES UNLESS OTHERWISE SPECIFIED:		APVD N. ONQUE 28NOV1989	NAME AMP UNIVERSAL POWER CONN 3.96MM PITCH 12 POS PLUG HSG (TPL ROW)	
0 PLC ± 1 PLC ±0.25 2 PLC ±0.20 3 PLC ± 4 PLC ±		PRODUCT SPEC 108-5302	RESTRICTED TO	
MATERIAL 6/6 NYLON (UL94V-0)		APPLICATION SPEC 114-5142	SIZE A2	CAGE CODE 00779
FINISH -		WEIGHT -	DRAWING NO C-176278	SCALE 5:1
		CUSTOMER DRAWING	SHEET 1	REV C

REVISIONS					
P	LTR	DESCRIPTION	DATE	DWN	APVD
	C	REVISED PER ECR-20-100642	19SEP2022	M.G	D.Z



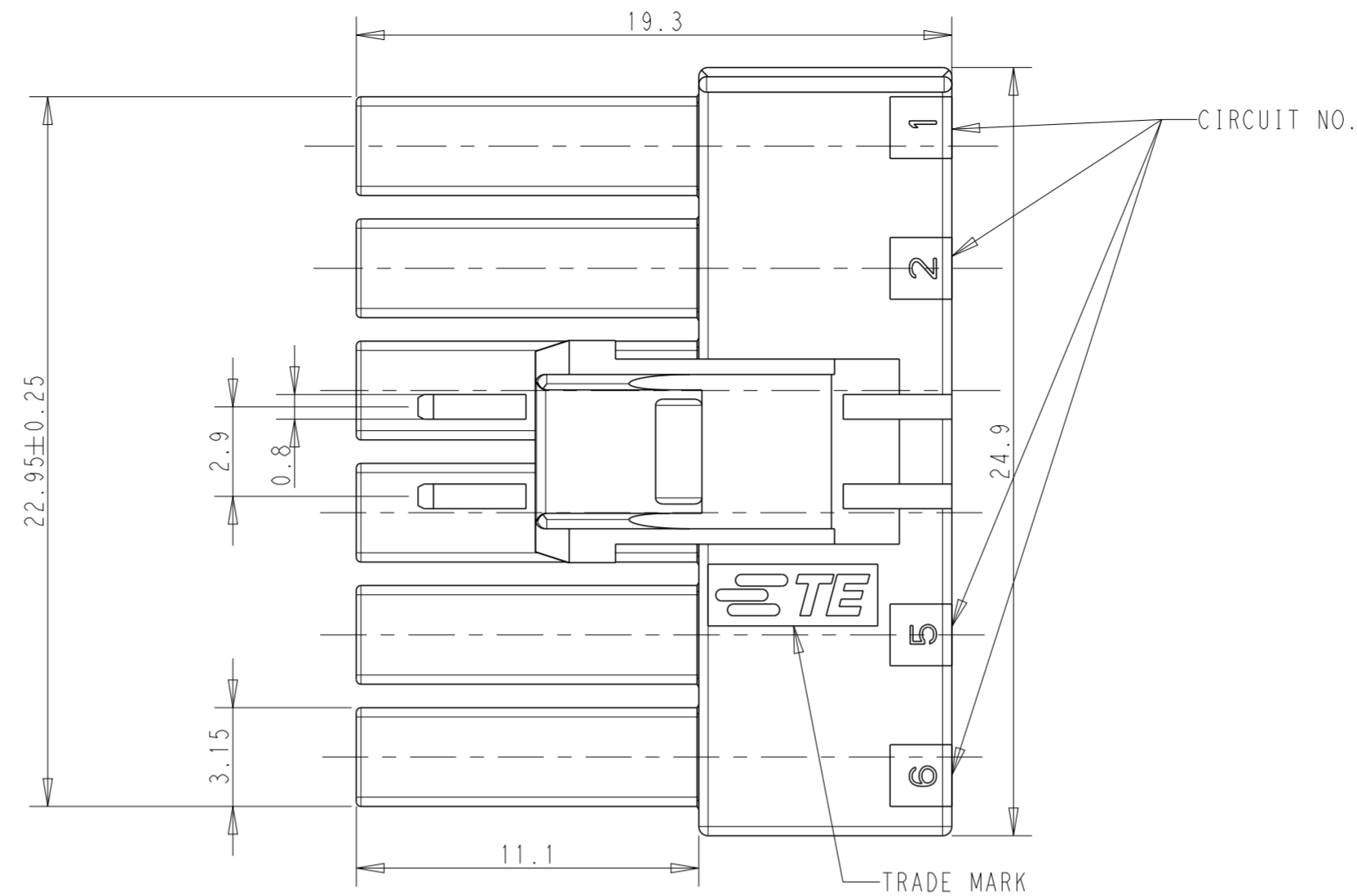
- 1 APPLICABLE CONTACT P/N:
 REC CONTACT: 175152- (20-16 AWG)
 175151- (26-22 AWG)
- 2 MATING CONN. P/N:
 CAP HSG: 176290- (FREE HANGING)
 176300- (PANEL MOUNT)
 TAB CONTACT: 175150- (20-16 AWG)
 175149- (26-22 SWG)
- 3 INSTRUCTION SHEET: IS-503J.



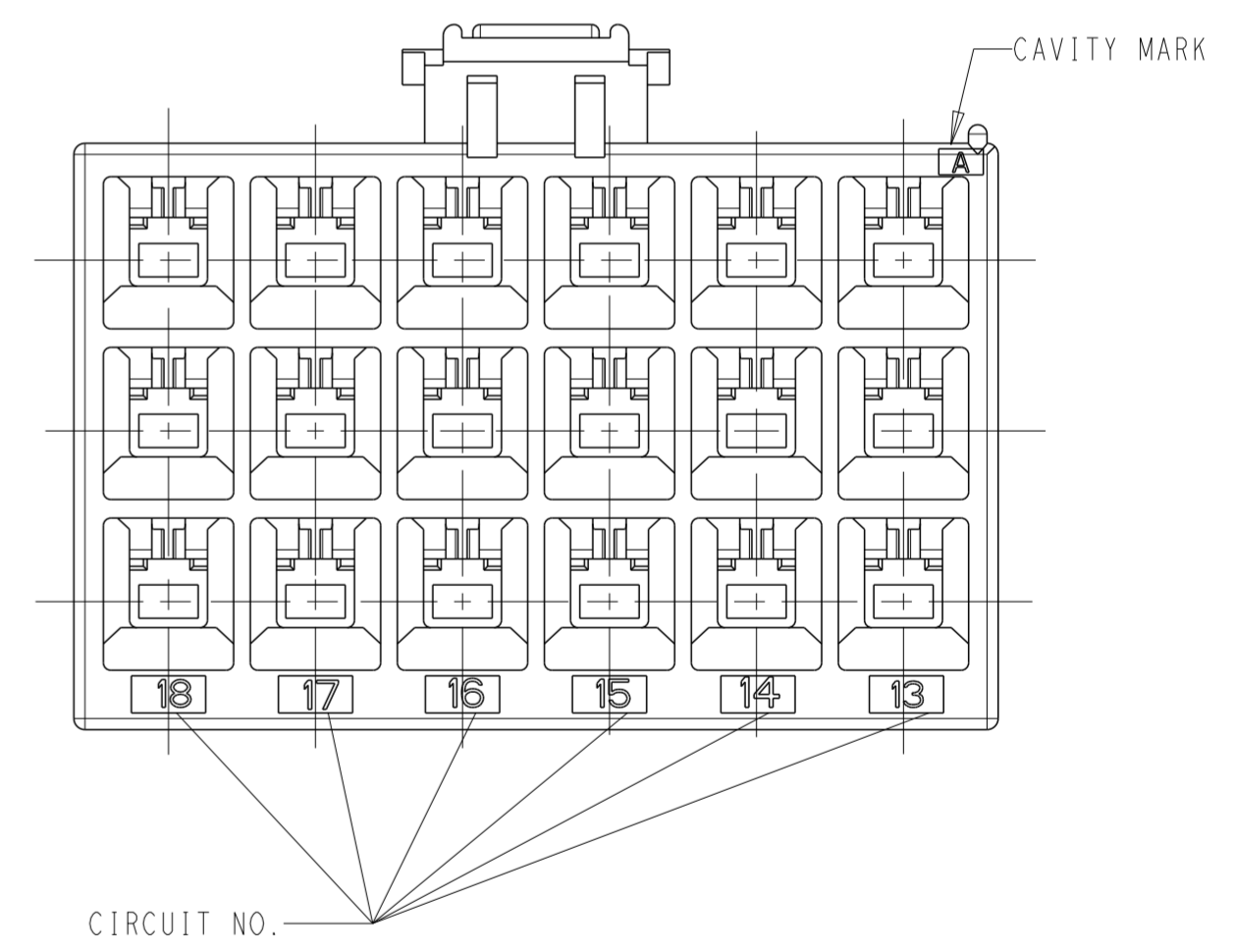
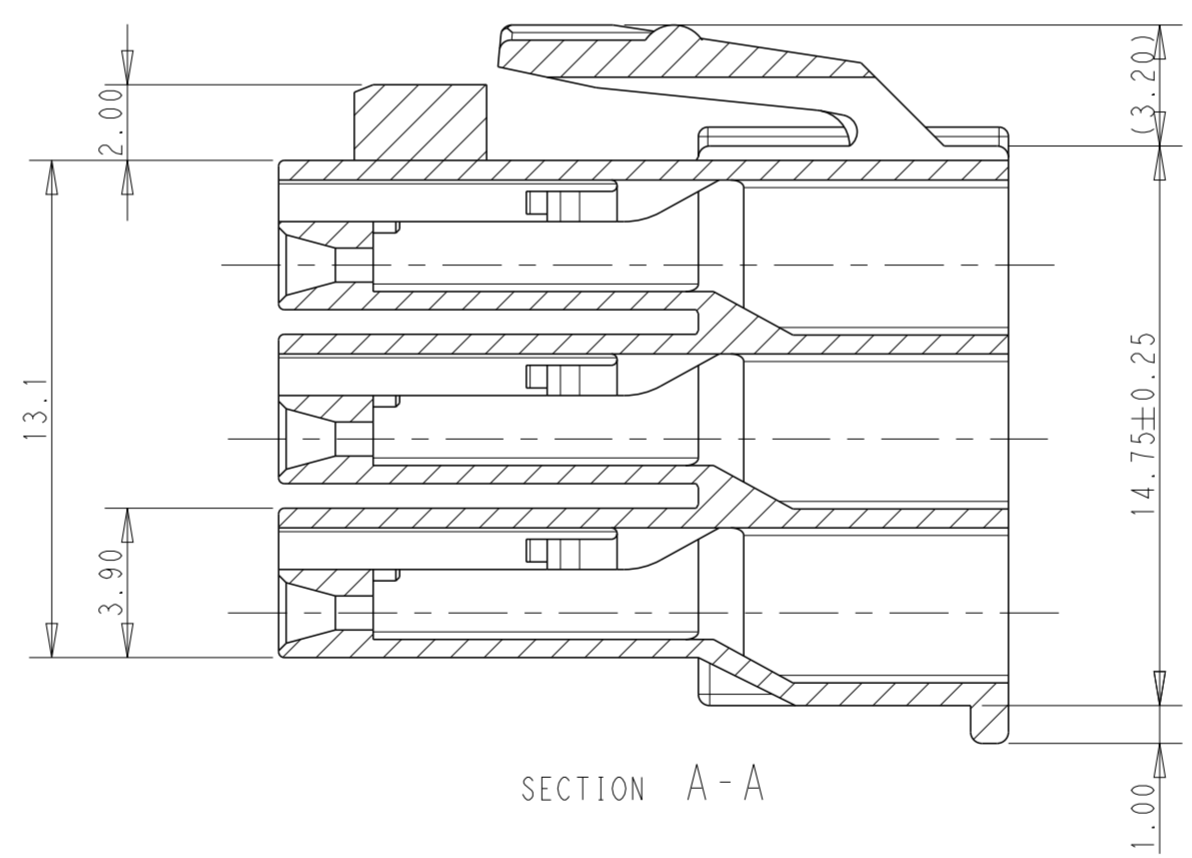
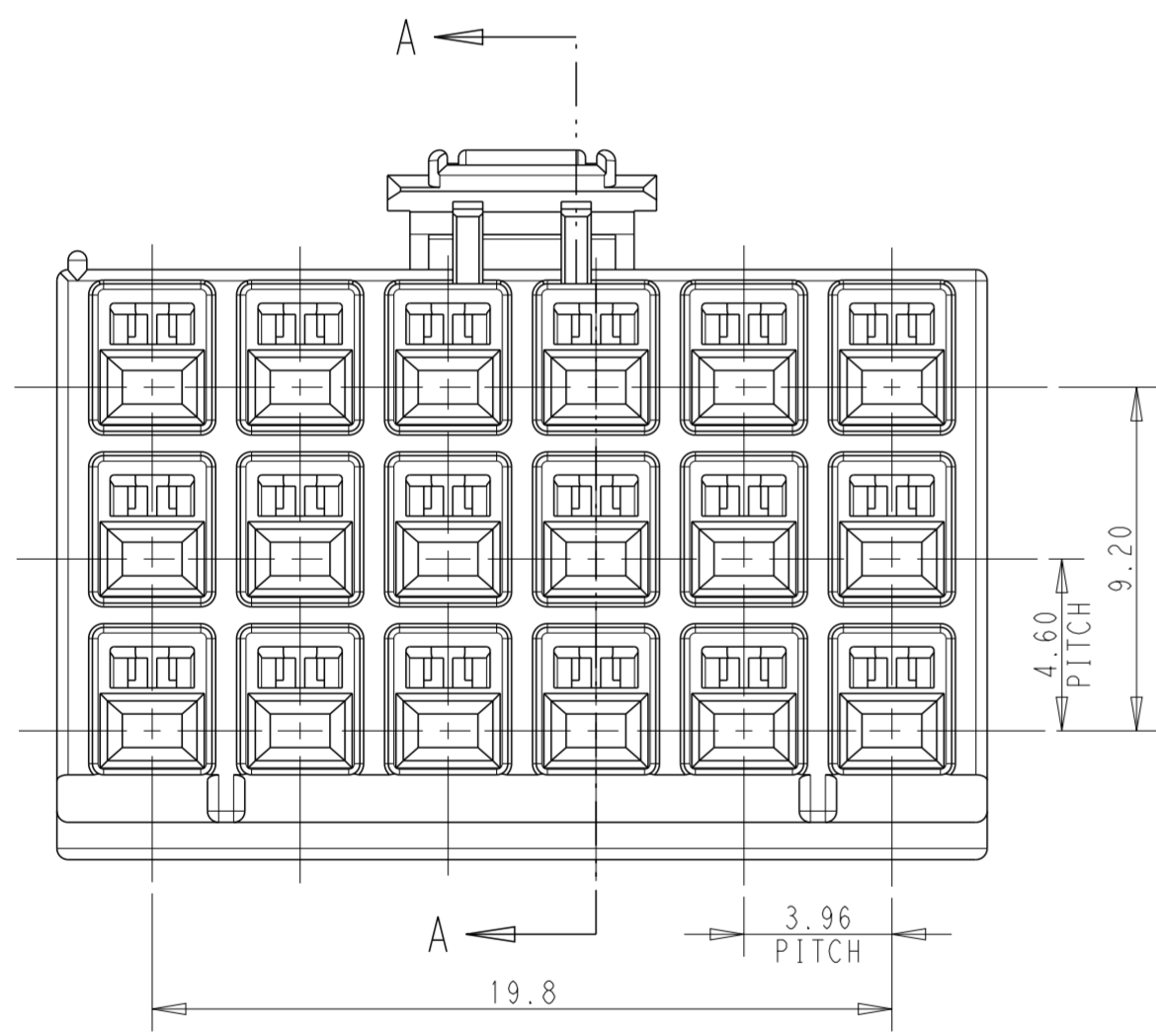
DEVELOPMENT	DISCONTINUED	DISCONTINUED	DISCONTINUED
BLACK	BLUE	YELLOW	RED
15	15	15	15
176279-9	176279-6	176279-4	176279-2
	NATURAL		
	15		
	176279-1		
HOUSING COLOR	POSITION	PART NUMBER	

THIS DRAWING IS A CONTROLLED DOCUMENT.		DWN M. SHINDO 24NOV1989	STE TE Connectivity	
DIMENSIONS: mm		CHK Y. FUJITA 28NOV1989		
TOLERANCES UNLESS OTHERWISE SPECIFIED:		APVD N. ONOUE 28NOV1989	NAME AMP UNIVERSAL POWER CONN 3.96MM PITCH 15 POS PLUG HSG (TPL ROW)	
0 PLC ± 1 PLC ±0.25 2 PLC ±0.20 3 PLC ± 4 PLC ± ANGLES ±3° FINISH -		PRODUCT SPEC 108-5302	SIZE CAGE CODE DRAWING NO RESTRICTED TO	
MATERIAL 6/6 NYLON (UL94V-0)		APPLICATION SPEC 114-5142	A2 00779 C-176279	
		WEIGHT -	RESTRICTED CUSTOMER SCALE 5:1 SHEET 1 OF 1 REV C	

REVISIONS					
P	LTR	DESCRIPTION	DATE	DWN	APVD
	C	REVISED PER ECR-20-100642	19SEP2022	M.G	D.Z



- 1 APPLICABLE CONTACT P/N:
 REC CONTACT: 175152- (20-16 AWG)
 175151- (26-22 AWG)
- 2 MATING CONN.P/N:
 CAP HSG: 176290- (FREE HANGING)
 176300- (PANEL MOUNT)
 TAB CONTACT: 175150- (20-16 AWG)
 175149- (26-22 AWG)
- 3 INSTRUCTION SHEET: IS-503J.



DEVELOPMENT	HOUSING COLOR	POSITION	PART NUMBER
	BLACK	18	176280-9
	BLUE	18	176280-6
	YELLOW	18	176280-4
	RED	18	176280-2
	NATURAL	18	176280-1

THIS DRAWING IS A CONTROLLED DOCUMENT.

DIMENSIONS: mm	TOLERANCES UNLESS OTHERWISE SPECIFIED: 0 PLC ± 1 PLC ±0.25 2 PLC ±0.20 3 PLC ± 4 PLC ± ANGLES ±3° FINISH -	MATERIAL NYLON 6/6 (UL94V-0)	DWN M. SHINDO 23NOV1989 CHK Y. FUJITA 23NOV1989 APVD N. ONOUE 23NOV1989	PRODUCT SPEC 108-5302 APPLICATION SPEC 114-5142 WEIGHT -	RESTRICTED CUSTOMER
-------------------	---	------------------------------------	--	---	---------------------

SCALE 5:1 SHEET 1 OF 1 REV C

AMP UNIVERSAL POWER CONN 3.96MM PITCH 18 POS PLUG HSG (TPL ROW)

SIZE A2 CAGE CODE 00779 DRAWING NO. C-176280